



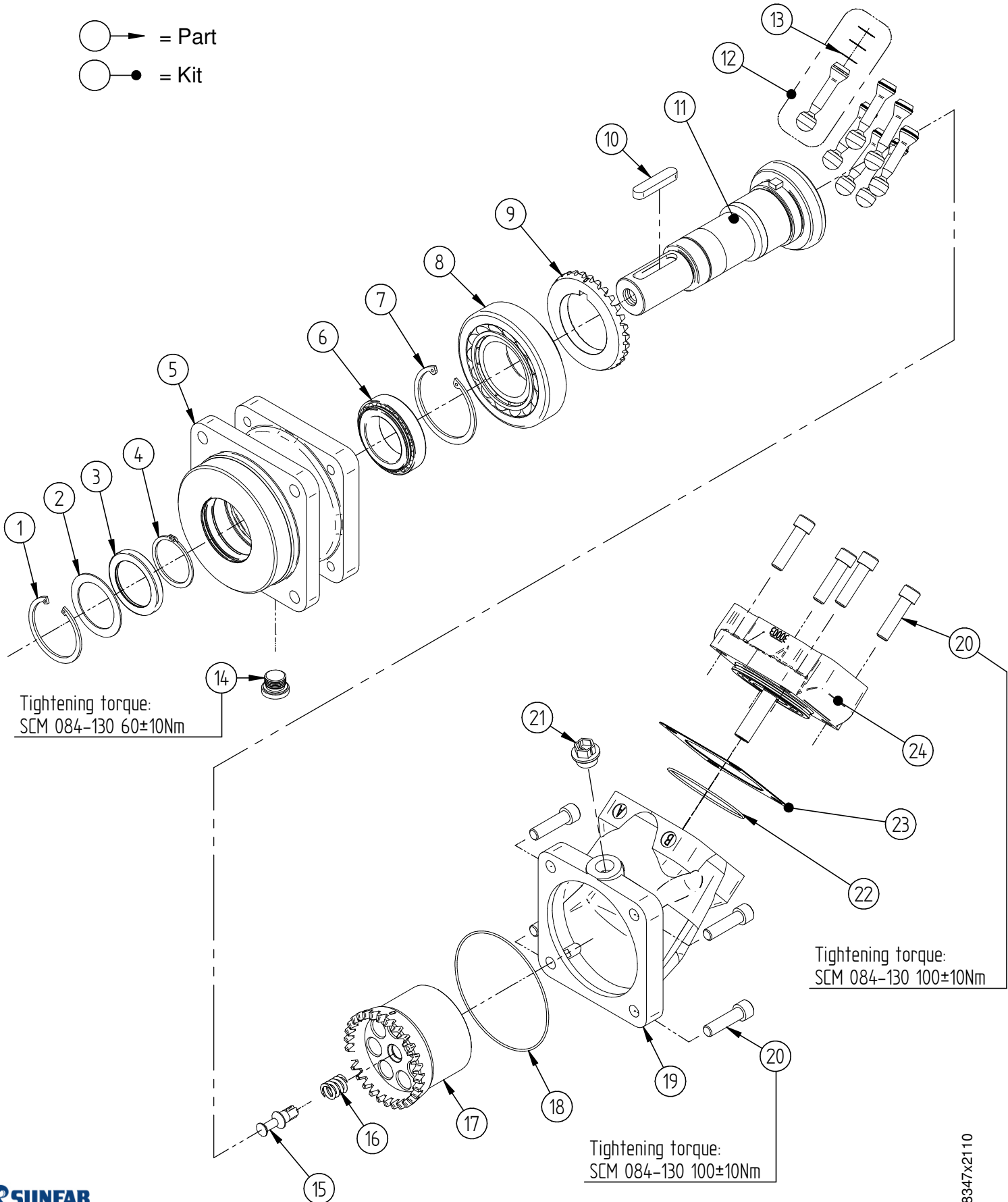


Contents

Exploded view.....	3
SCM 084 ISO.....	4
SCM 090 ISO.....	5
SCM 108 ISO.....	6
SCM 130 ISO.....	7
SEAL KITS.....	8



○ → = Part
○ ● = Kit





SCM 084 ISO

Item	Part No.	Title	Type*	Qty.
1	91951	Lock ring		1
2	30253	Washer		1
3	91961	Shaft seal	N - Nitrile	1
3	91962	Shaft seal	H - Nitrile, High pressure	1
3	91963	Shaft seal	V - Viton, High temperature	1
3	92295	Shaft seal	P - FPM, High temp./pressure	1
4	91952	Lock ring		1
5	30219	Bearing housing	I44 - ISO 4-Hole	1
6	91950	Tapered roller bearing		1
7	91277	Lock ring		1
8	91765	Tapered roller bearing		1
9	20047	Gear ring	Straight gears	1
10	91955	Key	For K40 shaft	1
11	50758	Shaft	W35 - Spline W35x2x16x9g	1
11	50756	Shaft	W40 - Spline W40x2x18x9g	1
11	50757	Shaft	K40 - Key Ø40	1
12	50283	Piston		7
13	20034	Piston rings		21
14	91109	Plug		1
15	21047	Spring pin		1
16	92060	Spring		1
17	21040	Cylinder barrel	Straight gears	1
18	91766	O-ring		1
19	30215	Angular housing		1
20	91376	Bolt		8
21	91372	Plug		1
22	91681	O-ring		1
23	20060	Shim		1
24	30015	Connection Cover	S1U-1	1
24	30242	Connection Cover	S1M-1	1
24	30337	Connection Cover	V1M-1	1
24	30359	Connection Cover	V2M-1	1
24	30332	Connection Cover	R1M-1	1

*For different types, see datasheet at <http://www.sunfab.com> or contact Sunfab



SCM 090 ISO

Item	Part No.	Title	Type*	Qty.
1	91951	Lock ring		1
2	30253	Washer		1
3	91961	Shaft seal	N - Nitrile	1
3	91962	Shaft seal	H - Nitrile, High pressure	1
3	91963	Shaft seal	V - Viton, High temperature	1
3	92295	Shaft seal	P - FPM, High temp./pressure	1
4	91952	Lock ring		1
5	30219	Bearing housing	I44 - ISO 4-Hole	1
6	91950	Tapered roller bearing		1
7	91277	Lock ring		1
8	91765	Tapered roller bearing		1
9	20047	Gear ring	Straight gears	1
10	91955	Key	For K40 shaft	1
11	50758	Shaft	W35 - Spline W35x2x16x9g	1
11	50756	Shaft	W40 - Spline W40x2x18x9g	1
11	50757	Shaft	K40 - Key Ø40	1
12	50636	Piston		7
13	30095	Piston rings		21
14	91109	Plug		1
15	21047	Spring pin		1
16	92060	Spring		1
17	21041	Cylinder barrel	Straight gears	1
18	91766	O-ring		1
19	30215	Angular housing		1
20	91376	Bolt		8
21	91372	Plug		1
22	91681	O-ring		1
23	20060	Shim		1
24	30155	Connection Cover	S1U-1	1
24	30449	Connection Cover	S1M-1	1
24	30447	Connection Cover	V1M-1	1
24	30402	Connection Cover	V2M-1	1
24	30457	Connection Cover	R1M-1	1

*For different types, see datasheet at <http://www.sunfab.com> or contact Sunfab



SCM 108 ISO

Item	Part No.	Title	Type*	Qty.
1	91951	Lock ring		1
2	30253	Washer		1
3	91961	Shaft seal	N - Nitrile	1
3	91962	Shaft seal	H - Nitrile, High pressure	1
3	91963	Shaft seal	V - Viton, High temperature	1
3	92295	Shaft seal	P - FPM, High temp./pressure	1
4	91952	Lock ring		1
5	30220	Bearing housing	I45 - ISO 4-Hole	1
6	91950	Tapered roller bearing		1
7	91277	Lock ring		1
8	91765	Tapered roller bearing		1
9	20047	Gear ring	Straight gears	1
10	91956	Key	For K45 shaft	1
11	50761	Shaft	W40 - Spline W40x2x18x9g	1
11	50759	Shaft	W45 - Spline W45x2x21x9g	1
11	50760	Shaft	K45 - Key Ø45	1
12	50284	Piston		7
13	20035	Piston rings		21
14	91109	Plug		1
15	21047	Spring pin		1
16	92060	Spring		1
17	21042	Cylinder barrel	Straight gears	1
18	91766	O-ring		1
19	30215	Angular housing		1
20	91376	Bolt		8
21	91372	Plug		1
22	91681	O-ring		1
23	20060	Shim		1
24	30014	Connection Cover	S1U-1	1
24	30244	Connection Cover	S1M-1	1
24	30339	Connection Cover	V1M-1	1
24	30413	Connection Cover	V2M-1	1
24	30334	Connection Cover	R1M-1	1

*For different types, see datasheet at <http://www.sunfab.com> or contact Sunfab



SCM 130 ISO

Item	Part No.	Title	Type*	Qty.
1	91951	Lock ring		1
2	30253	Washer		1
3	91961	Shaft seal	N - Nitrile	1
3	91962	Shaft seal	H - Nitrile, High pressure	1
3	91963	Shaft seal	V - Viton, High temperature	1
3	92295	Shaft seal	P - FPM, High temp./pressure	1
4	91952	Lock ring		1
5	30220	Bearing housing	I45 - ISO 4-Hole	1
6	91950	Tapered roller bearing		1
7	91277	Lock ring		1
8	91765	Tapered roller bearing		1
9	20047	Gear ring	Straight gears	1
10	91956	Key	For K45 shaft	1
11	50761	Shaft	W40 - Spline W40x2x18x9g	1
11	50759	Shaft	W45 - Spline W45x2x21x9g	1
11	50760	Shaft	K45 - Key Ø45	1
12	50342	Piston		7
13	20164	Piston rings		21
14	91109	Plug		1
15	21047	Spring pin		1
16	92060	Spring		1
17	21043	Cylinder barrel	Straight gears	1
18	91766	O-ring		1
19	30215	Angular housing		1
20	91376	Bolt		8
21	91372	Plug		1
22	91681	O-ring		1
23	20060	Shim		1
24	30080	Connection Cover	S1U-1	1
24	30341	Connection Cover	S1M-1	1
24	30123	Connection Cover	V1M-1	1
24	30462	Connection Cover	V2M-1	1
24	30106	Connection Cover	R1M-1	1

*For different types, see datasheet at <http://www.sunfab.com> or contact Sunfab



SCM 084-130 ISO Seal Kits

Part No.	Includes Items	Title	Type*
50584	1, 2, 3	Shaft seal kit SCM 084-130 ISO	N - Nitrile
50585	1, 2, 3	Shaft seal kit SCM 084-130 ISO	H - Nitrile, High pressure
50586	1, 2, 3	Shaft seal kit SCM 084-130 ISO	V - Viton, High temperature
50986	1, 2, 3	Shaft seal kit SCM 084-130 ISO	P - FPM, High temp./pressure
50590	1, 2, 3, 18, 22, 23	Seal kit SCM 084-130 ISO	N - Nitrile
50591	1, 2, 3, 18, 22, 23	Seal kit SCM 084-130 ISO	H - Nitrile, High pressure
50592	1, 2, 3, 18, 22, 23	Seal kit SCM 084-130 ISO	V - Viton, High temperature
50987	1, 2, 3, 18, 22, 23	Seal kit SCM 084-130 ISO	P - FPM, High temp./pressure

*For different types, see datasheet at <http://www.sunfab.com> or contact Sunfab