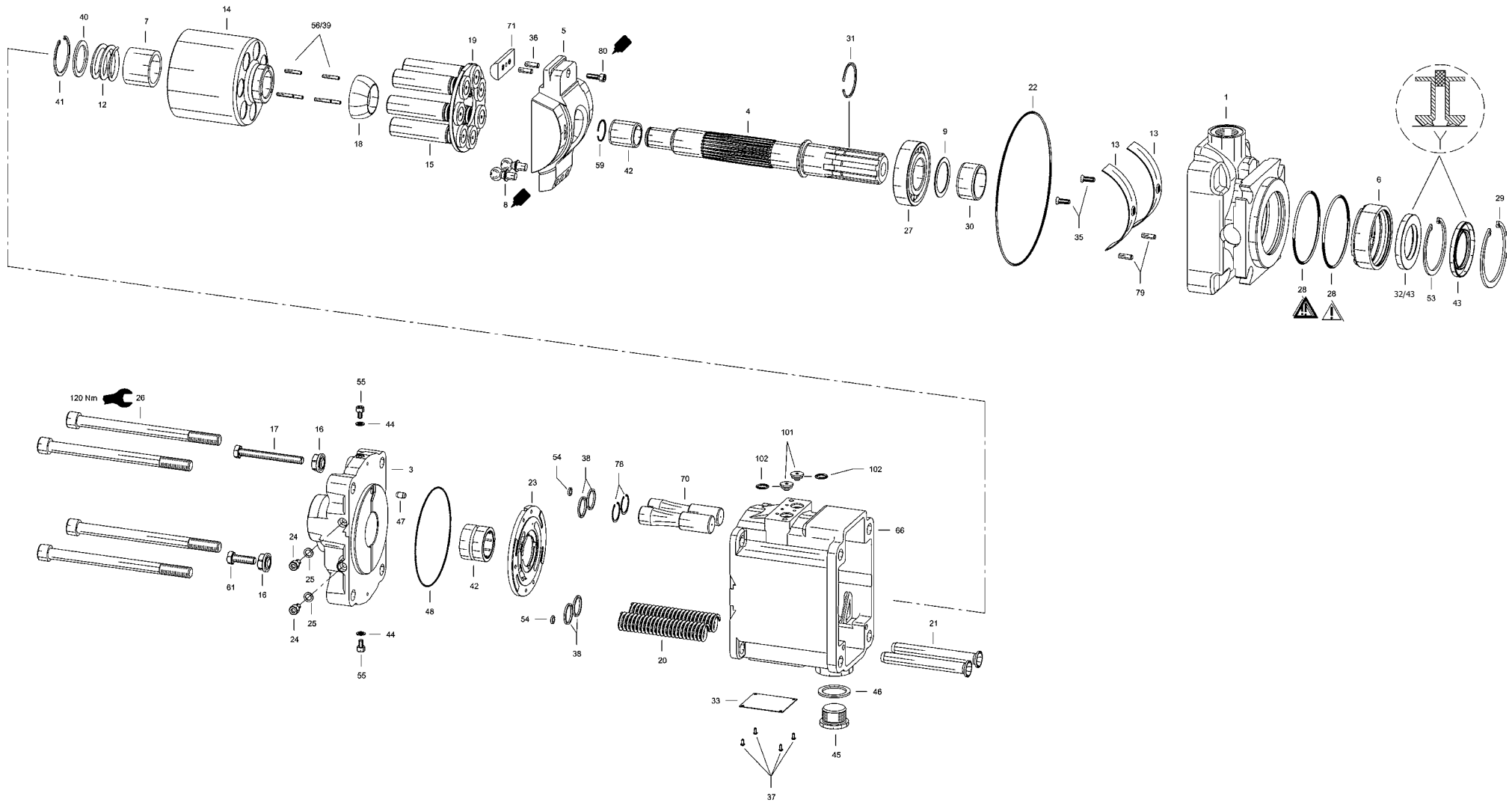




SVH 062 DIN Release No. 03





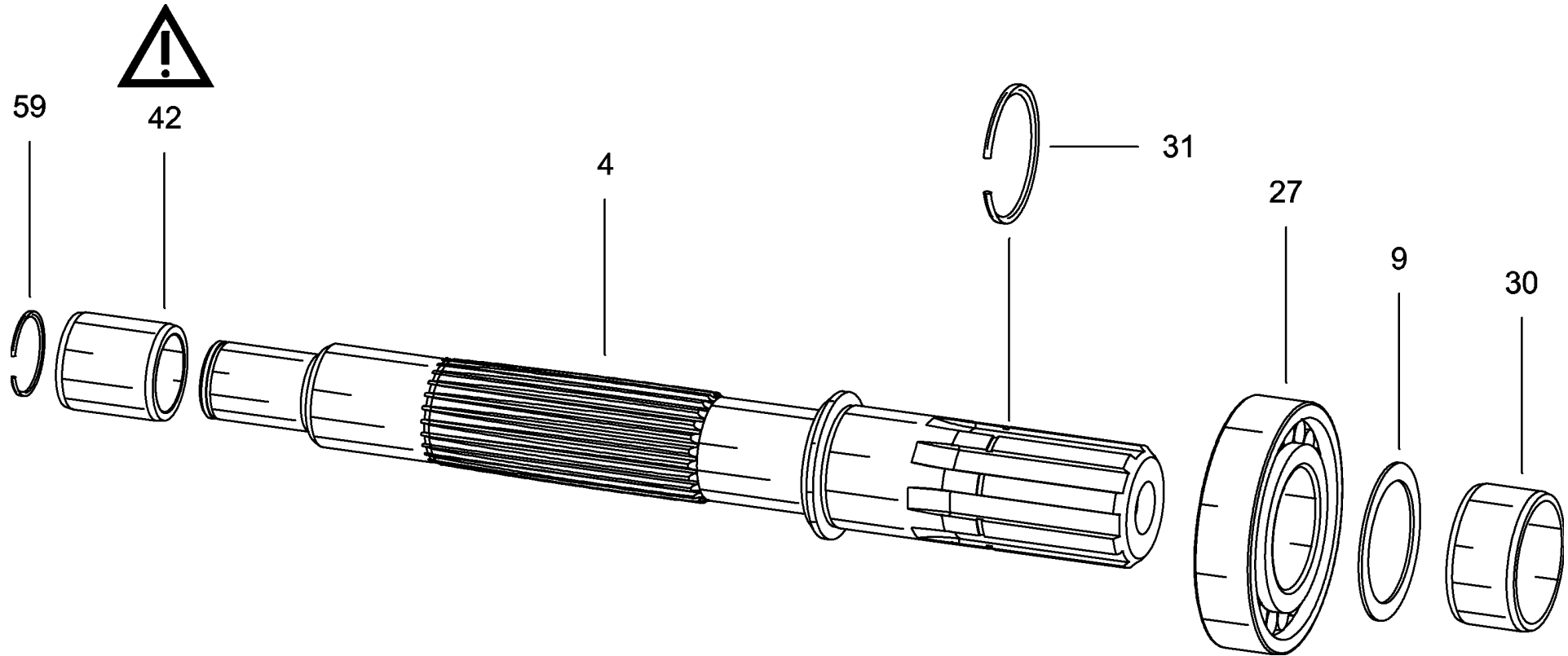
SVH 062 DIN Release No. 03

Item	Part No.	Qty.	Nomenclature	Add. Information
1	7941119.00	1	Front housing SVH-062/03	Coding Y
3	7940952.00	1	End housing SVH-062	Ports conforming ISO 228/1 (BSPP)
3	7940784.00	1	End housing UN SVH-062	Ports conforming SAE J 514
3	7940839.00	1	End housing max.Hub. SVH-062	Ports conforming ISO 228/1 (BSPP)
3	7940862.00	1	End housing UN max.Hub. SVH-062	Ports conforming SAE J 514
3	7941301.00	1	endhousing -2 SVH-062/03 SUNFAB	Ports conforming ISO 228/1 (BSPP)
3	7941673.00	1	endhousing -2 /UN SVH-062/03	Ports conforming SAE J 514
4-59	7941592.00	1	Ass. shaft (1) SVH-062/03	Standard
4-59	7941590.00	1	Ass. shaft (2) SVH-062/03	With stroke limitation
5	7944993.00	1	Swash plate SVH-062/03	Deburr and clean surface!
6	7929011.00	1	Seal bushing	Mount parts 32 and 53 to complete the sleeve!
7	7940929.00	1	Jacket SVH-062	
8	7993526.00	2	Ball journal DIN 71803	Secured with retaining compound!
12	7940911.00	1	Spring SVH-062	
13	7941476.00	2	Bearing cup SVH	
14	7941458.00	1	Cylinder barrel SVH-060703	
15	7929807.00	7	Ass. Piston SVH-062/-092/-112	Lube pistons prior to assembly!
16	7992040.00	2	Seal-lock nut M10	Only apparent at end housings with stroke limitation!
17	7994190.00	1	Hex.head s. M10x 55 DIN933-8.8	Only apparent at end housings with stroke limitation!
18	7940917.00	1	Centering ball SVH-062	
19	7940844.00	1	Return plate SVH-062	
20	7941253.00	2	Spring SVH-062	
21	7940940.00	2	Spring control SVH-062	
23	7945148.00	1	Port plate R SVH-062	At clockwise pump rotation, the new port plate should be mounted with a few spots of greas!
23	7945149.00	1	Port plate L SVH-062	At counter clockwise pump rotation, the new port plate should be mounted with a few spots of greas!
24	7993228.00	2	Screw M6x8 DIN 912-8.8	

Item	Part No.	Qty.	Nomenclature	Add. Information
26	7993489.00	4	Screw M12x170 DIN 912-10.9	Max. torque 120 Nm (crosswise)!
29	7991609.00	1	Retaining ring 72x2,5 DIN 472	
33	7993044.00	1	Type plate	Blank, for spares order a detailed type coding is required
35	7990924.00	2	Screw M 5x 12 DIN 7991-8.8	
36	7992606.00	2	Connex- cocking pin SG 5x20	
37	7993589.00	4	Fludet spike 2,6x4 DIN 1476	
40	7940924.00	1	Plate SVH-062	
41	7993642.00	1	Retaining ring 41x1.75 DIN472	
42	7993485.00	1	Needle bearing NA69/22	Outer bearing race incl. needles and cage are pressed in to the end housing (inner race is already mounted on the shaft)
45	7992051.00	1	Plug screw G 3/4 A DIN 908	No coding (Central housing)
45	7992861.00	1	Plug screw UN 1 1/16"-12 (NBR)	With coding UNF (Central housing /UN)
47	7993699.00	1	Roll pin 6x10	Pressed into the end housing!
53	7991036.00	1	Retaining ring 62x2 DIN 472	Observe mounting, see detail „Y“
55	7993229.00	2	Screw M5x6 DIN 912-8.8	
56/39	7993820.00	6	Needle roll NRB 2.5x19.8	
61	7990781.00	1	Hex.head s. M10x 30 DIN933-8.8	Only apparent at end housings with stroke limitation!
66	7941120.00	1	Middle housing LV SVH-062/03	No coding, Ports conforming ISO 228/1 (BSPP)
66	7941398.00	1	Middle housing LV/UN SVH-062/03	Coding UNF, Ports conforming SAE J 514
70	7945394.00	2	Setting piston SVH-062	Lube prior to assembly!
71	7941295.00	1	Pressure piece SVH	
78	7991256.00	2	Retaining ring 20x1 DIN 472	
79	7992543.00	2	Cylind. pin 5m6x16 DIN 6325	
80	7991873.00	1	Screw M 5x 16 DIN 912	Secured with liquid threadlock!
101	7940422.00	2	Plug	
102	7990236.00	2	O- ring (9,25x1,78)012- 8309	
22-54	7941589.00	1	Seal kit NBR SVH-062/03	Seal Kit N (NBR)



Ass. shaft (1) SVH-062/03



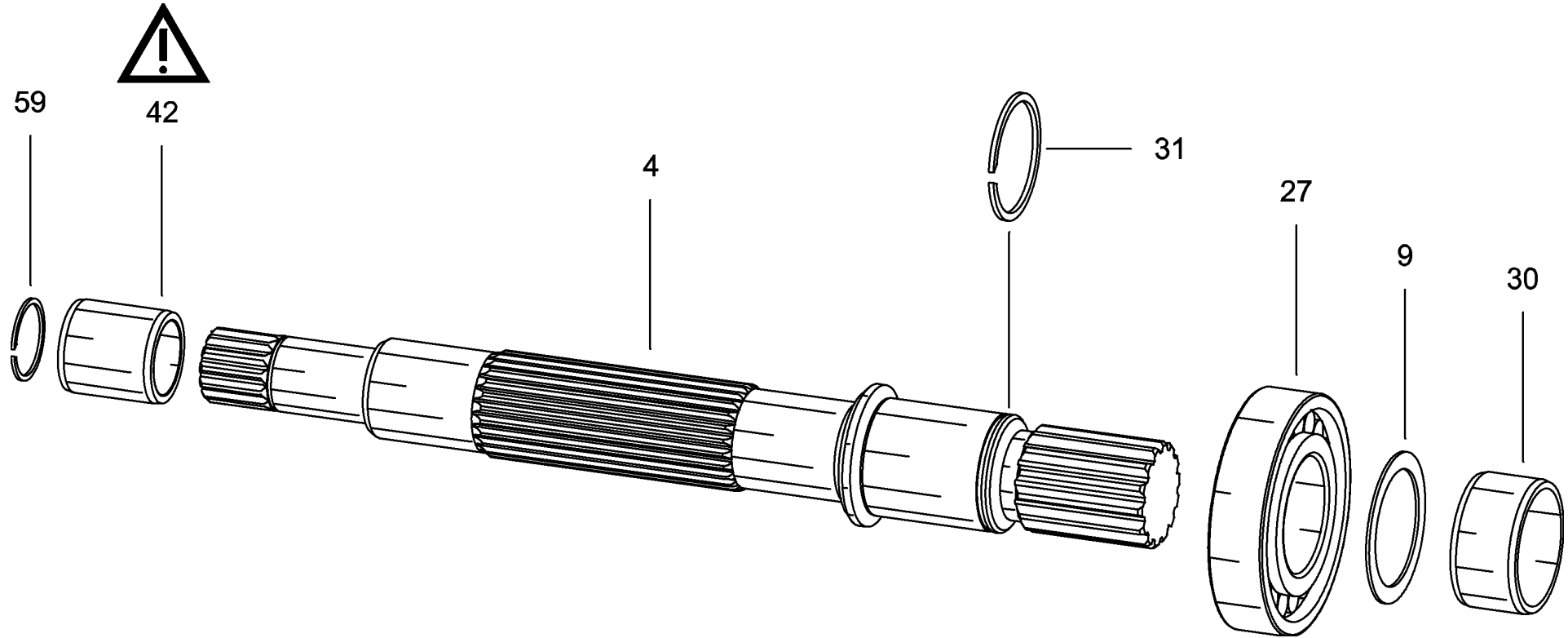


Ass. shaft (1) SVH-062/03

Item	Part No.	Qty.	Nomenclature	Add. Information
4	7940910.00	1	Spline shaft SVH-062	
9	7993486.00	1	Shim PS 35x45x1 DIN988	Place spacer ring between bearing and sleeve!
27	7993122.00	1	Roller bearing NUP207 E G15	Roller bearing is press-fitted on the shaft!
30	7993123.00	1	Inner race IR 35x40x30 EGS	Sleeve is press-fitted on the shaft!
31	7991827.00	1	Snap ring SW 35	
42	7993485.00	1	Needle bearing NA69/22	Attention: The inner race of the needle bearing is press-fitted on the shaft!
59	7992431.00	1	Snap ring SW 22	



Ass. shaft (2) SVH 062/03



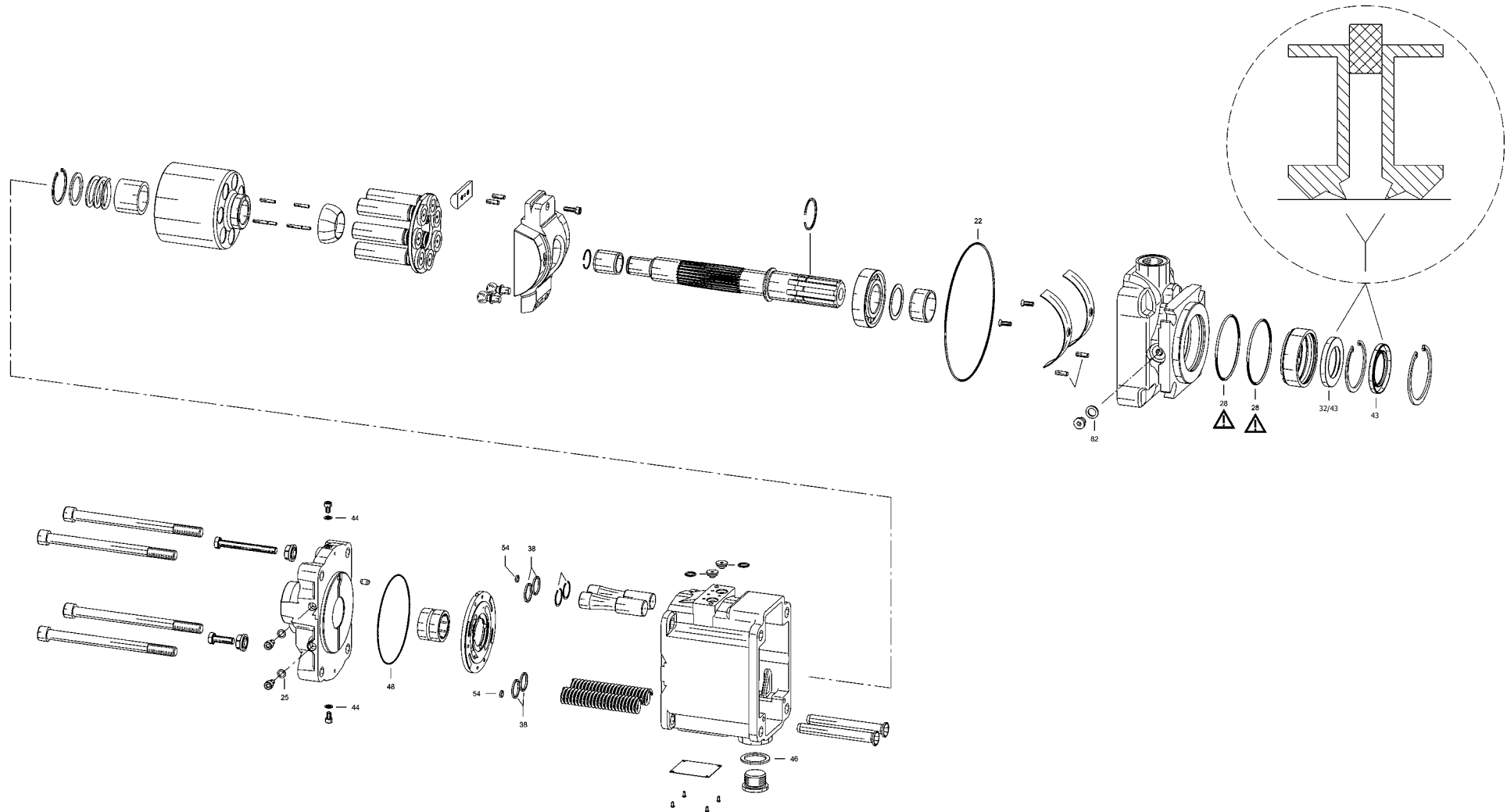


Ass. shaft (2) SVH 062/03

Item	Part No.	Qty.	Nomenclature	Add. Information
4	7941299.00	1	Spline shaft (2) SVH-062	
9	7993486.00	1	Shim PS 35x45x1 DIN988	Place spacer ring between bearing and sleeve!
27	7993122.00	1	Roller bearing NUP207 E G15	Roller bearing is press-fitted on the shaft!
30	7993123.00	1	Inner race IR 35x40x30 EGS	Sleeve is press-fitted on the shaft!
31	7991827.00	1	Snap ring SW 35	
42	7993485.00	1	Needle bearing NA69/22	Attention: The inner race of the needle bearing is press-fitted on the shaft!
59	7992431.00	1	Snap ring SW 22	



Seal kit NBR (N) SVH 062/03





Seal kit NBR (N) SVH 062/03

Item	Part No.	Qty.	Nomenclature	Add. Information
22	7993668.00	1	O-ring 160x2 : NBR70	Lube the O-ring, place it in the groove of the front housing!
25	7991398.00	2	Bonded washer U 6,70x10x1	
28	7992122.00	2	O-ring (72,69x2,62)NBR 70Shore	Attention: Lube the O-ring, place it in the groove of the front housing and press in the pre-assembled sleeve!
32	7991906.00	1	Shaft seal 40x62x6-6,5 N	Observe mounting, see detail „Y“
38	7993126.00	4	Kantseal-ring DKAR 00020-N9011	Lube and position in groove!
43	7991988.00	1	Shaft seal 40x62x6-6,5 V	Observe mounting, see detail „Y“
44	7991963.00	2	Bonded washer U 5,70x 9x1	
46	7992469.00	1	Bonded washer U 27,20x36x2	
48	7992346.00	1	O- ring (101,32x1,78)045- 8309	Lube the O-ring, place it in the groove of the end housing!
54	7993163.00	2	Kantseal-ring DKAR 00009-N9006	Lube and position in groove!
82	7991705.00	1	Bonded washer U 10,35x16x2	Only with SAE front housing coding F, Z and X