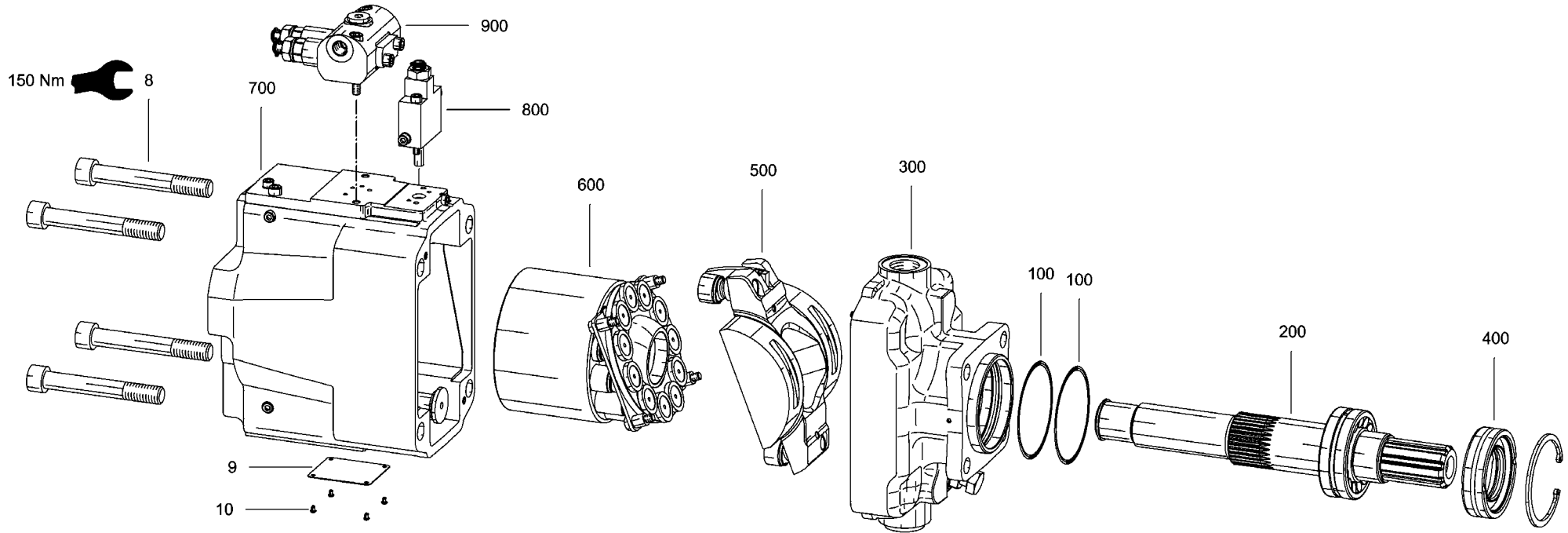




## SVH 130 DIN Release No. 00



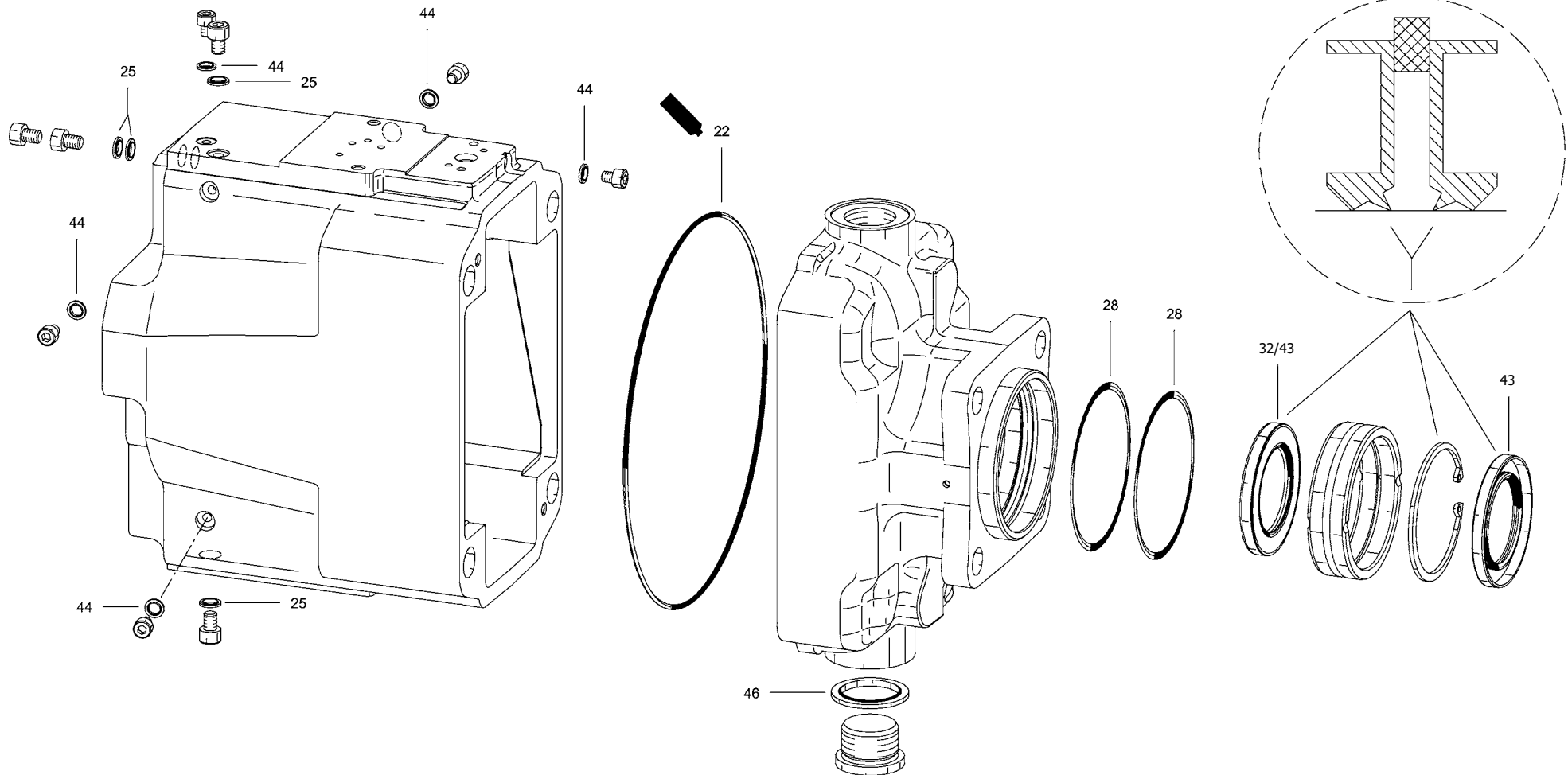


## SVH 130 DIN Release No. 00

Item	Part No.	Qty.	Nomenclature	Add. Information
8	7993210.00	4	Screw M14x100 DIN 912-10.9	Tighten crosswise in steps, 50Nm, 100Nm, max. torque 150Nm!
9	7994343.00	1	Type plate	Blank, for spares order a detailed type coding is required
10	7993589.00	4	Fludet spike 2,6x4 DIN 1476	
100	7942901.00	1	Seal kit NBR	
100	7942798.00	1	Seal kit FKM SVH-130	
200	7943042.00	1	Ass. shaft (-1) SVH-130 Serie 00	Coding D
200	7943043.00	1	Ass. shaft (-2) SVH-130 Serie 00	Coding D
300	Frontgehäuse DIN	1	Front housing DIN	
400	7943057.00	1	Assy. seal bushing DIN	
500	Wiege SVH-130 R	1	Swash plate SVH-130 R (Clockwise)	
500	Wiege SVH-130 L	1	Swash plate SVH-130 L (Anti clockwise)	
600	Verstellkopf SVH-130	1	Ass. control head SVH-130	
700	Gehäuse SVH-130	1	Housing SVH-130	
800	L-Regler	1	L-Controller	
900	SVH-Regler3	1	SVH - Controller 3 (since 01/2011)	



## Seal kit NBR (N) SVH-130/00



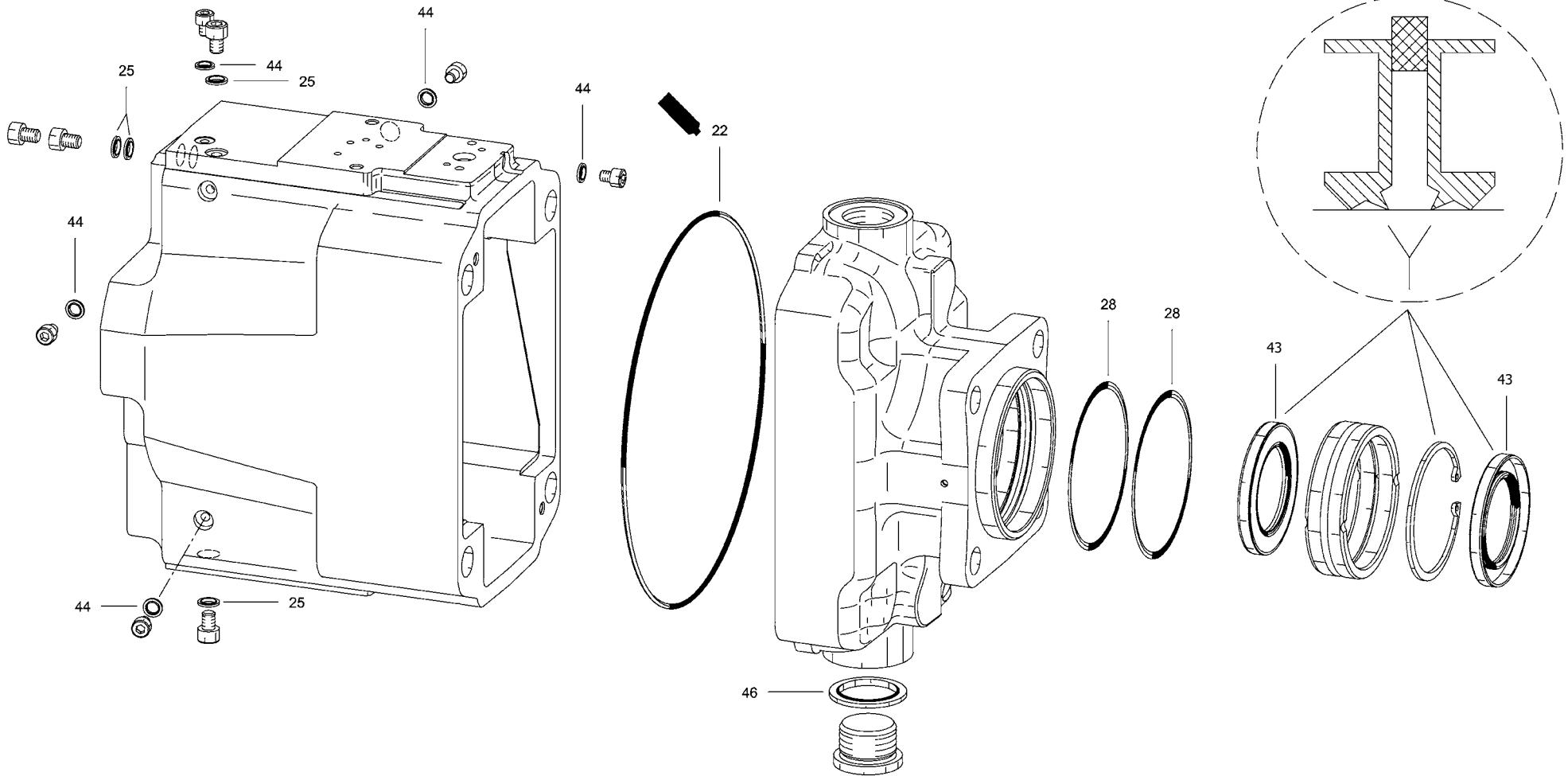


## Seal kit NBR (N) SVH-130/00

Item	Part No.	Qty.	Nomenclature	Add. Information
22	7993684.00	1	O-ring 178x2 NBR 70shore	Apply grease to the O-ring and place it in the groove of the front housing (?section)
25	7991398.00	4	Bonded washer U 6,70x10x1	
28	7992122.00	2	O-ring (72,69x2,62)NBR 70Shore	
32	7991906.00	1	Shaft seal 40x62x6-6,5 N	Observe mounting, see detail „Y“ !
43	7991988.00	1	Shaft seal 40x62x6-6,5 V	Observe mounting, see detail „Y“ !
44	7991963.00	5	Bonded washer U 5,70x 9x1	
46	7992469.00	1	Bonded washer U 27,20x36x2	



## Seal kit FKM (V) SVH-130/00



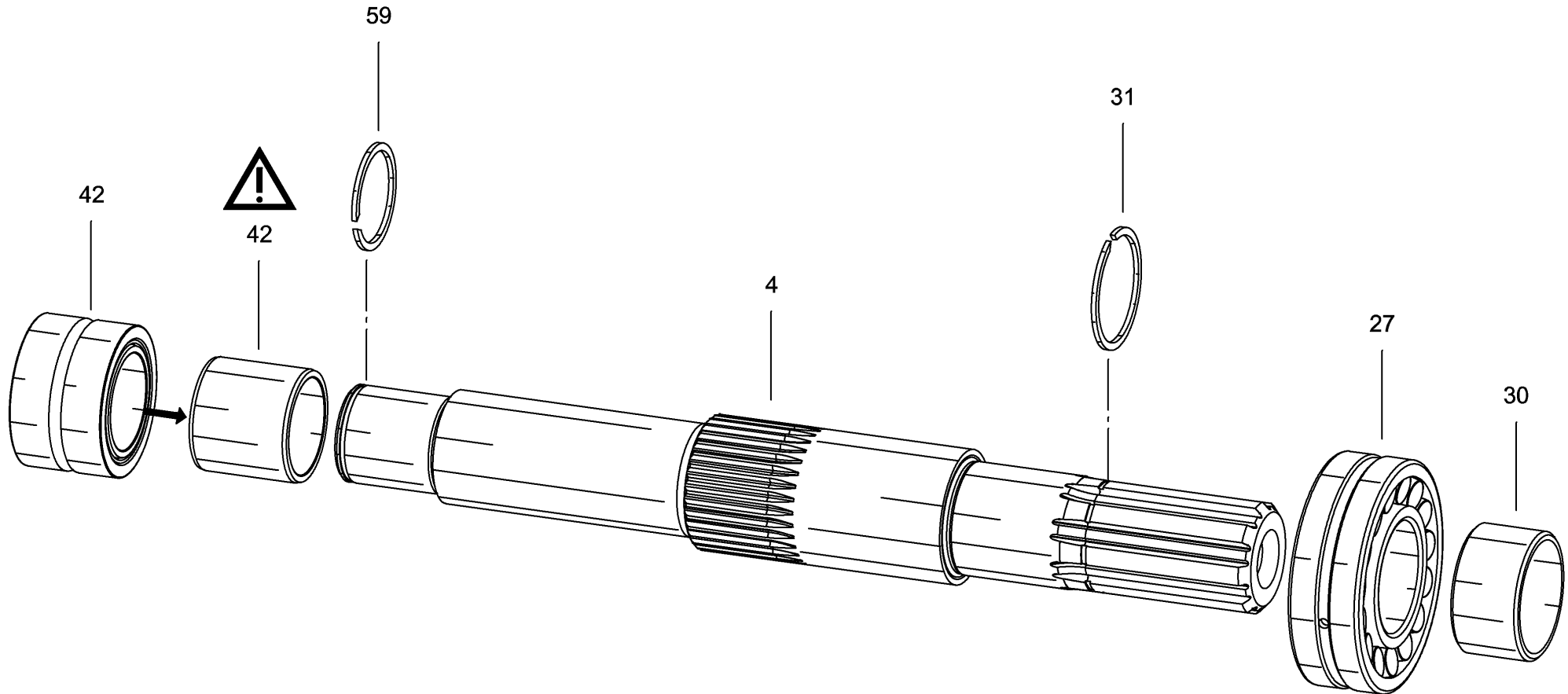


## Seal kit FKM (V) SVH-130/00

Item	Part No.	Qty.	Nomenclature	Add. Information
22	7993873.00	1	O- Ring 178x2 FKM 70Shore	Apply grease to the O-ring and place it in the groove of the front housing (?section)
25	7993537.00	4	Bonded washer U 6,70x10x1	
28	7993251.00	2	O-ring (72.69x2.62)FKM 70Shore	
43	7991988.00	2	Shaft seal 40x62x6-6,5 V	Observe mounting, see detail „Y“ !
44	7993525.00	5	Bonded washer U 5,70x 9x1	
46	7993853.00	1	Bonded washer U 27,20x36x2	



## Ass. shaft (-1) SVH-130/00





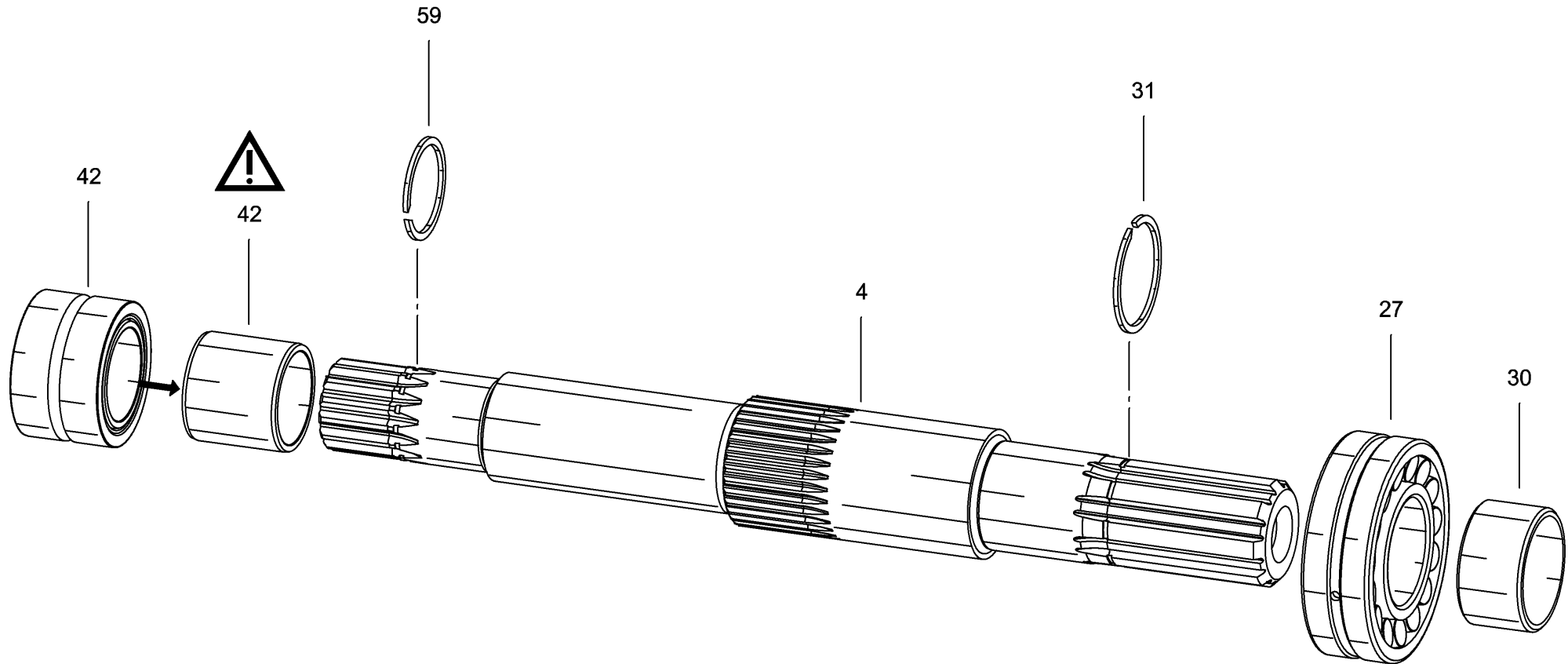
## Ass. shaft (-1) SVH-130/00

Item	Part No.	Qty.	Nomenclature	Add. Information
4	7942699.00	1	Shaft (1)	Coding D
27	7994345.00	1	Spherical roller bearing 22207-E1	Spherical roller bearing is press-fitted on the shaft!
30	7993197.00	1	Inner race IR 35x40x22 EGS	Attention: The inner race is press-fitted on the shaft!
31	7991827.00	1	Snap ring SW 35	
42	7993237.00	1	Needle bearing NA 6906 A	Attention: Remove the inner race of the needle bearing and press it on the shaft!
59	7991822.00	1	Snap ring SW 30	





## Ass. shaft (-2) SVH-130/00



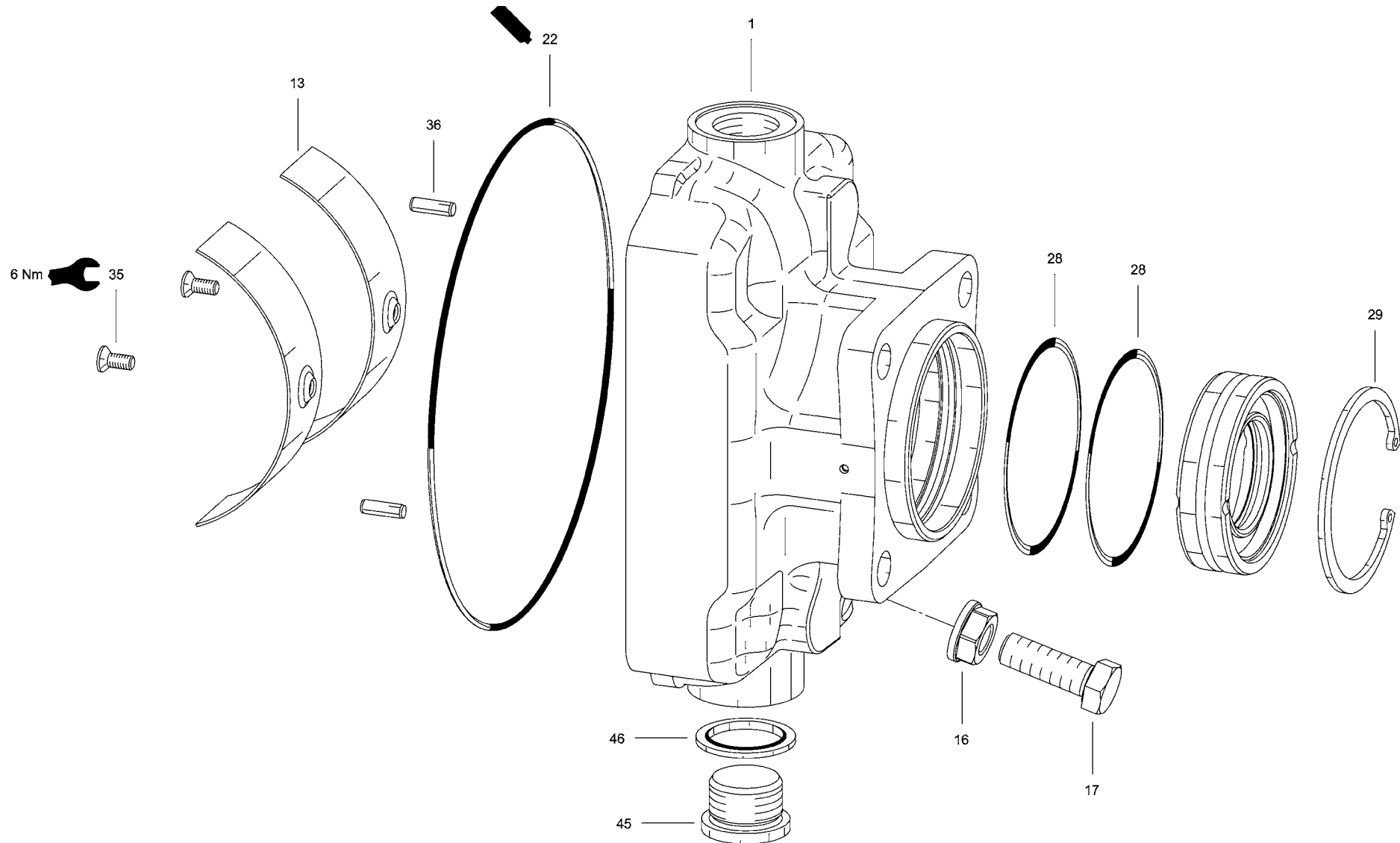


## Ass.shaft DIN (-2) SVH-130/00

Item	Part No.	Qty.	Nomenclature	Add. Information
4	7942683.00	1	Shaft (2)	Coding D
27	7994345.00	1	Spherical roller bearing 22207-E1	Spherical roller bearing is press-fitted on the shaft!
30	7993197.00	1	Inner race IR 35x40x22 EGS	Attention: The inner race is press-fitted on the shaft!
31	7991827.00	1	Snap ring SW 35	
42	7993237.00	1	Needle bearing NA 6906 A	Attention: Remove the inner race of the needle bearing and press it on the shaft!
59	7991822.00	1	Snap ring SW 30	



## Front housing DIN SVH-130/00



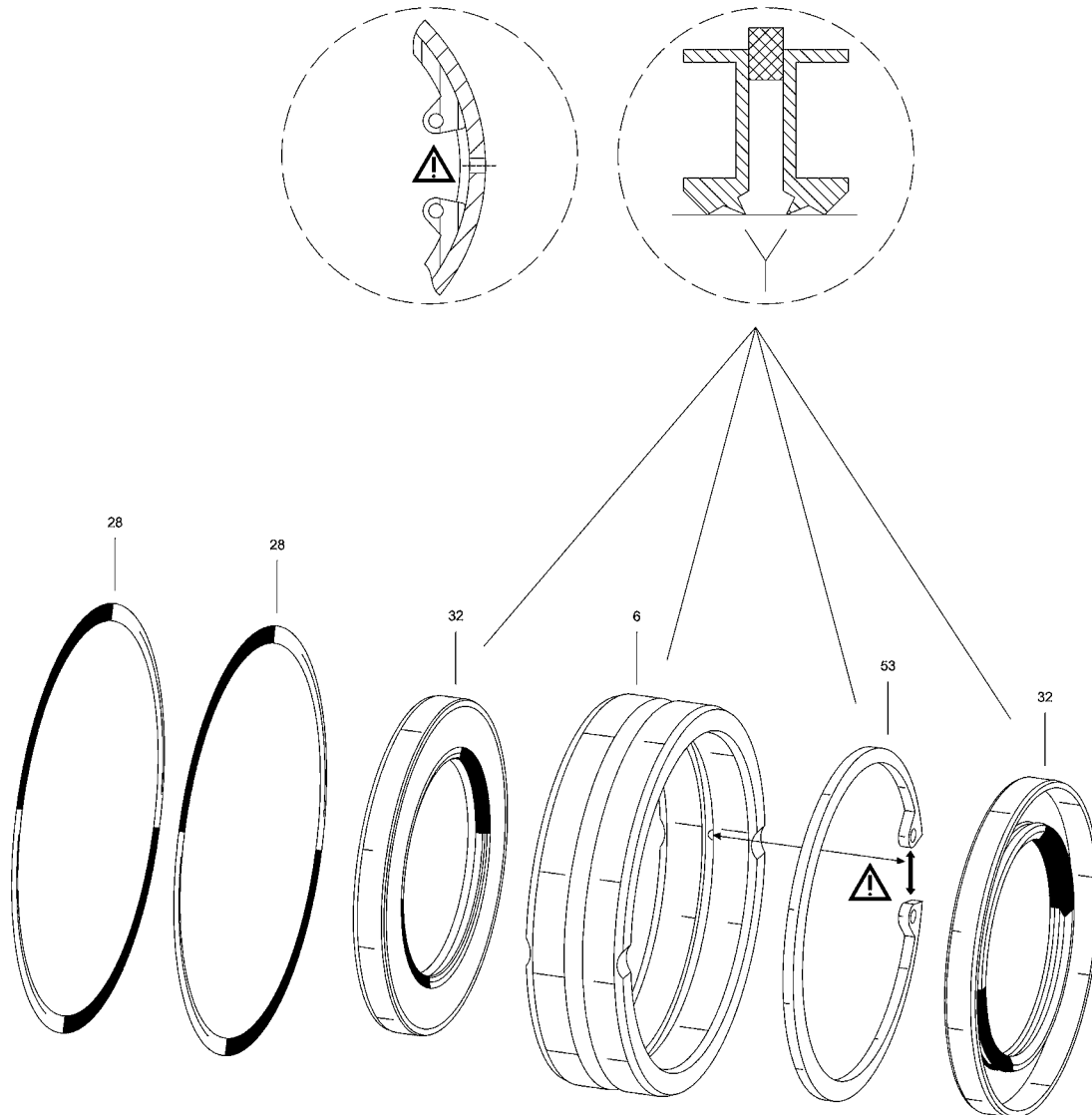


## Front housing DIN SVH-130/00

Item	Part No.	Qty.	Nomenclature	Add. Information
1	7942677.00	1	Front housing DIN -2	Coding Y
1	7942673.00	1	Front housing DIN -2 connection hole pattern offset by 10°	Coding P
13	7942666.00	2	Bearing cup	
16	7994340.00	1	Seal-Lock-nut M12	
17	7994365.00	1	Sechsk.Sch. M12x 35-10.9	
22	7993684.00	1	O-ring 178x2 NBR 70shore	Apply grease to the O-ring and place it in the groove of the front housing (?section)
28	7992122.00	2	O-ring (72,69x2,62)NBR 70Shore	
29	7991609.00	1	Retaining ring 72x2,5 DIN 472	
35	7990924.00	2	Screw M 5x 12 DIN 7991-8.8	Max. torque 6 Nm!
36	7992543.00	2	Cylind. pin 5m6x16 DIN 6325	
45	7992051.00	1	Plug screw G 3/4 A DIN 908	
46	7992469.00	1	Bonded washer U 27,20x36x2	
22- 28 -46	7942901.00	1	Seal kit NBR	
22- 28 -46	7942798.00	1	Seal kit FKM SVH-130	



## Assy. seal bushing DIN SVH-130/00



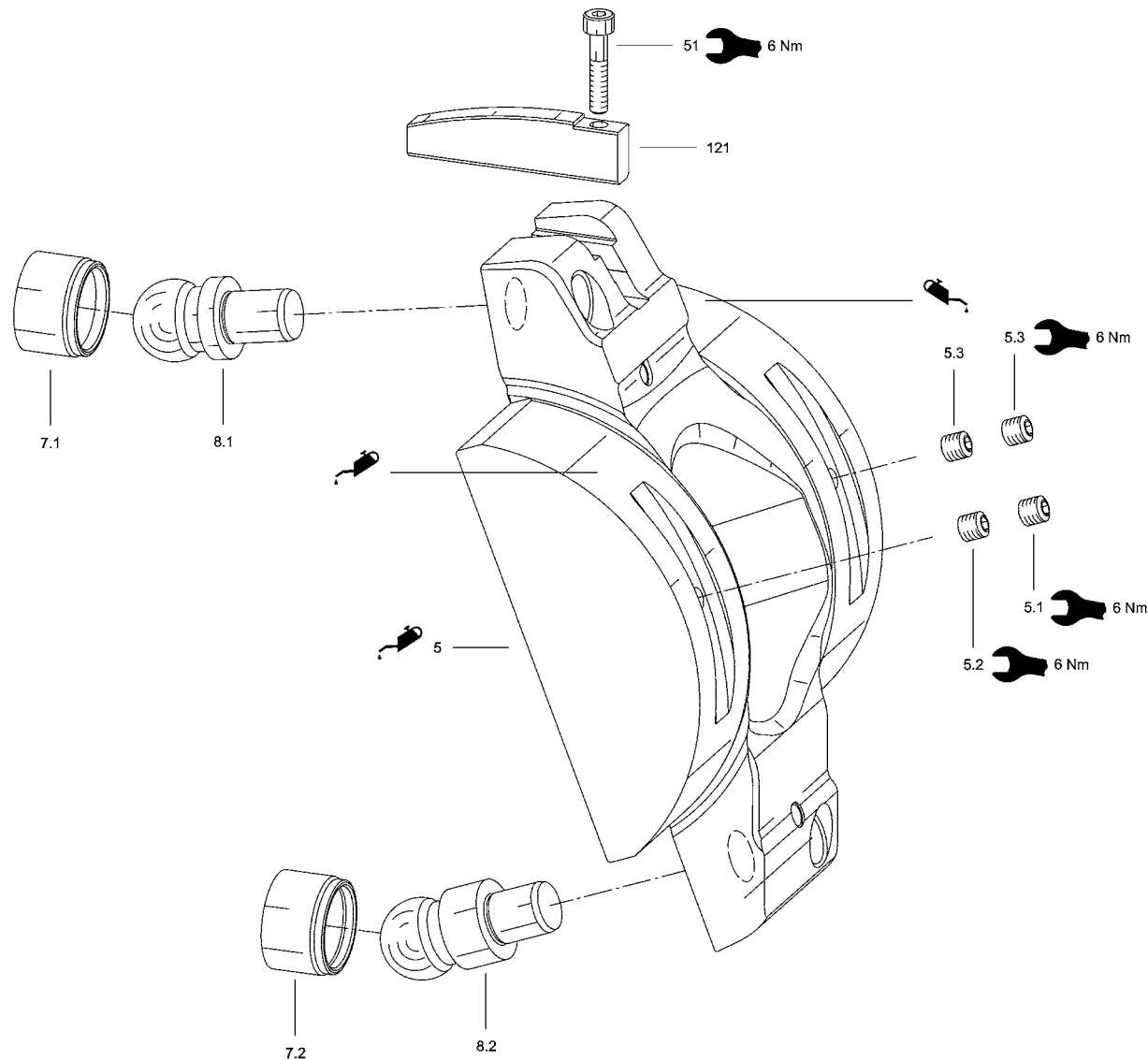


## Assy. seal bushing DIN SVH-130/00

Item	Part No.	Qty.	Nomenclature	Add. Information
6	7942644.00	1	Seal bushing	
28	7992122.00	2	O-ring (72,69x2,62)NBR 70Shore	
32	7991906.00	2	Shaft seal 40x62x6-6,5 N	Observe mounting, see detail „Y“ !
53	7991036.00	1	Retaining ring 62x2 DIN 472	Attention: Position the circlip in the seal bushing such that it does not block the bore!
28-32	7942901.00	1	Seal kit NBR	
28-32	7942798.00	1	Seal kit FKM SVH-130	



## Swash plate SVH-130 R (Clockwise)





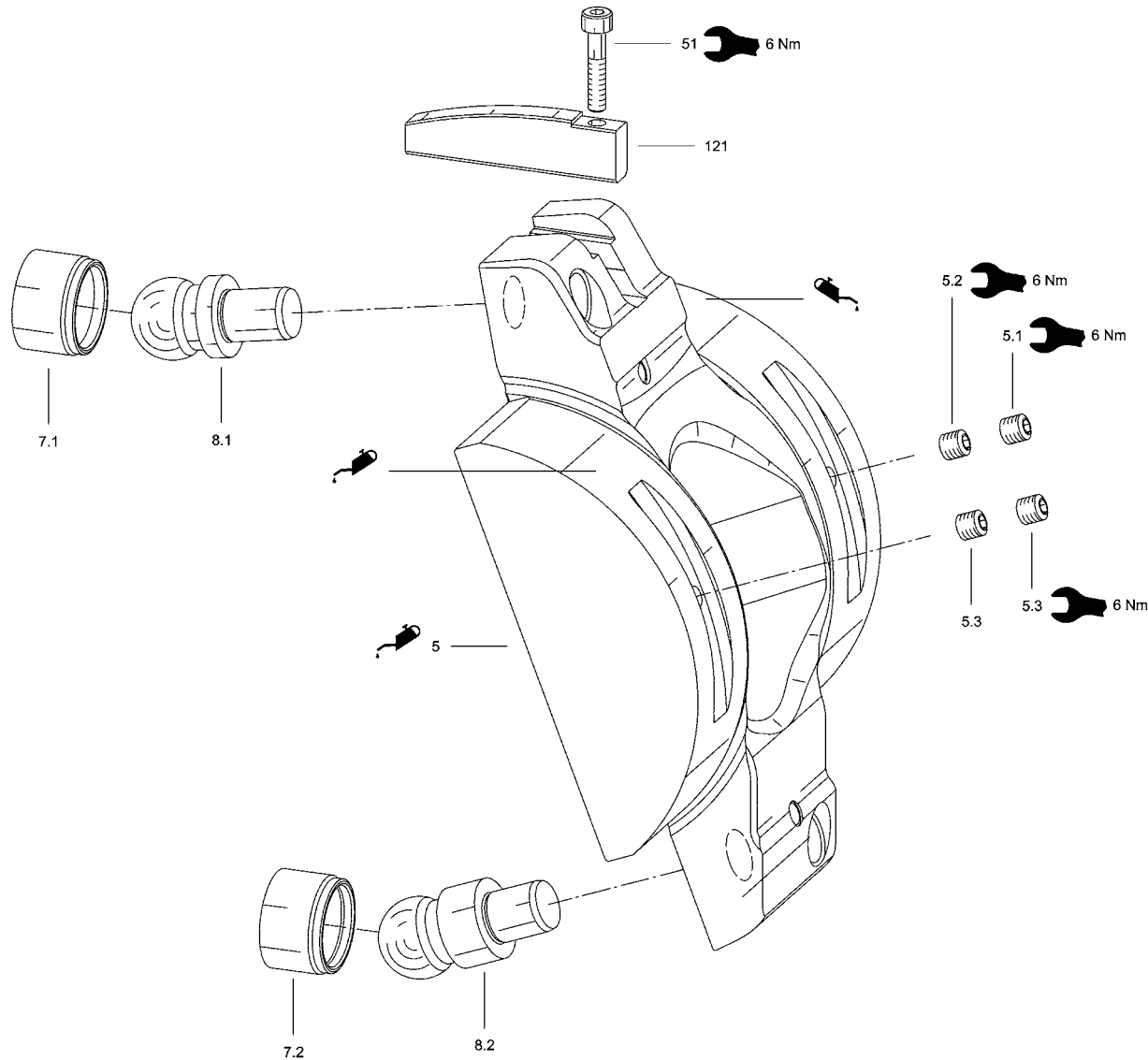
## Swash plate SVH-130 R (Clockwise)

Item	Part No.	Qty.	Nomenclature	Add. Information
5	7944811.00	1	Swash plate SVH-130	Lube the bearing face of the Swash plate!
5.1	7992615.00	1	Throttle 3,0 (M 6x6 DIN 913)	Max. torque 6 Nm!
5.2	7992891.00	1	Throttle 0,8 (M 6x6 DIN 913)	Max. torque 6 Nm!
5.3	7992496.00	2	Pin screw M 6x 6 DIN 913	Max. torque 6 Nm!
7.1	7942654.00	1	Slipper pad	Press it on ball journal item 8.1
7.2	7942655.00	1	Slipper pad	Press it on ball journal item 8.2
8.1	7942647.00	1	Ball journal	Press it into the Swash plate
8.2	7942650.00	1	Ball journal	Press it into the Swash plate
51	7994260.00	1	Zyl.Schr. M 4x 20 DIN 912-10.9	Max. torque 6 Nm!
121	7942679.00	1	Contour plate	





## Swash plate SVH-130 L (Anti Clockwise)



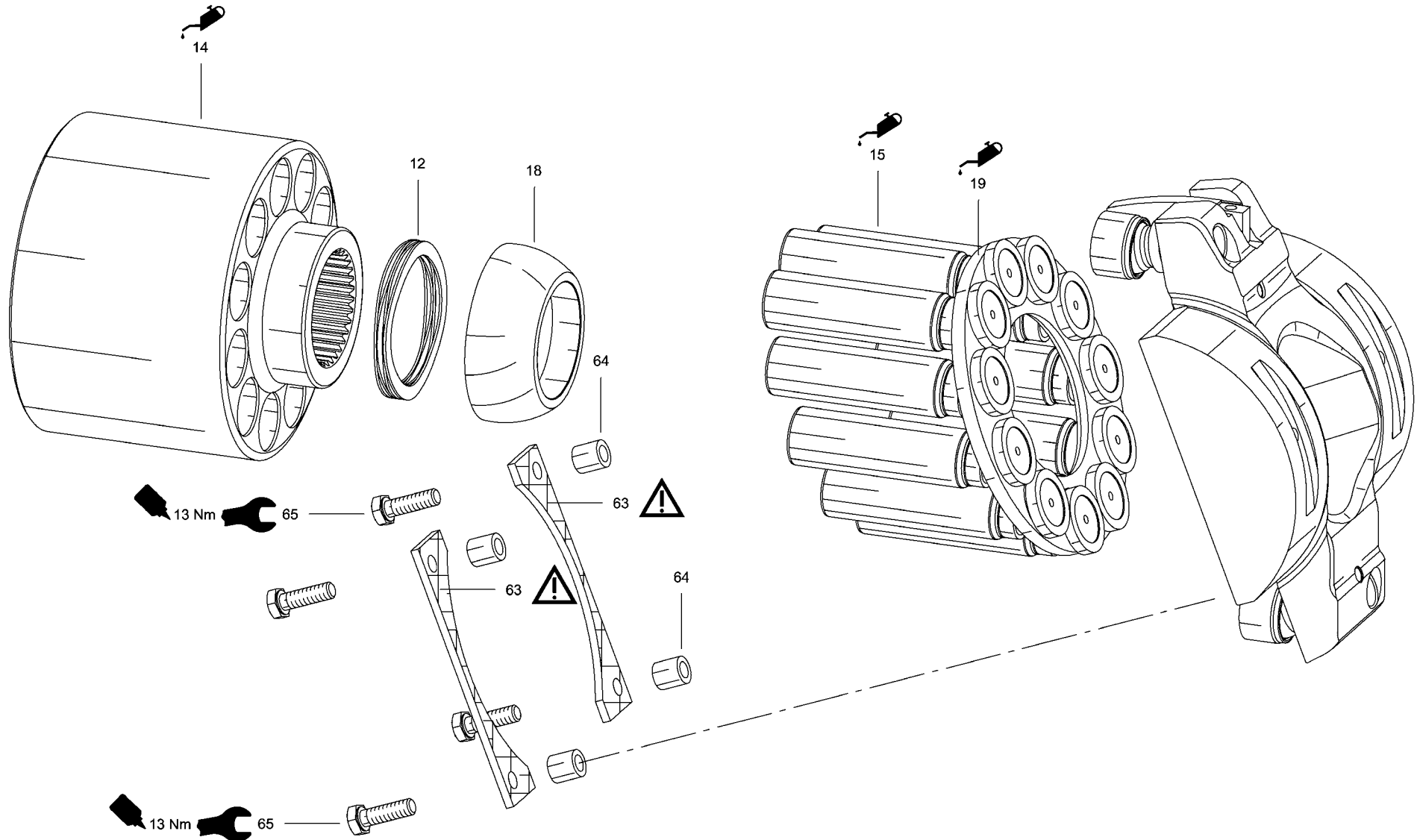


## Swash plate SVH-130 L (Anti Clockwise)

Item	Part No.	Qty.	Nomenclature	Add. Information
5	7944811.00	1	Swash plate SVH-130	Lube the bearing face of the Swash plate!
5.1	7992615.00	1	Throttle 3,0 (M 6x6 DIN 913)	Max. torque 6 Nm!
5.2	7992891.00	1	Throttle 0,8 (M 6x6 DIN 913)	Max. torque 6 Nm!
5.3	7992496.00	2	Pin screw M 6x 6 DIN 913	Max. torque 6 Nm!
7.1	7942654.00	1	Slipper pad	Press it on ball journal item 8.1
7.2	7942655.00	1	Slipper pad	Press it on ball journal item 8.2
8.1	7942647.00	1	Ball journal	Press it into the Swash plate
8.2	7942650.00	1	Ball journal	Press it into the Swash plate
51	7994260.00	1	Zyl.Schr. M 4x 20 DIN 912-10.9	Max. torque 6 Nm!
121	7942679.00	1	Contour plate	



## Ass. control head SVH-130



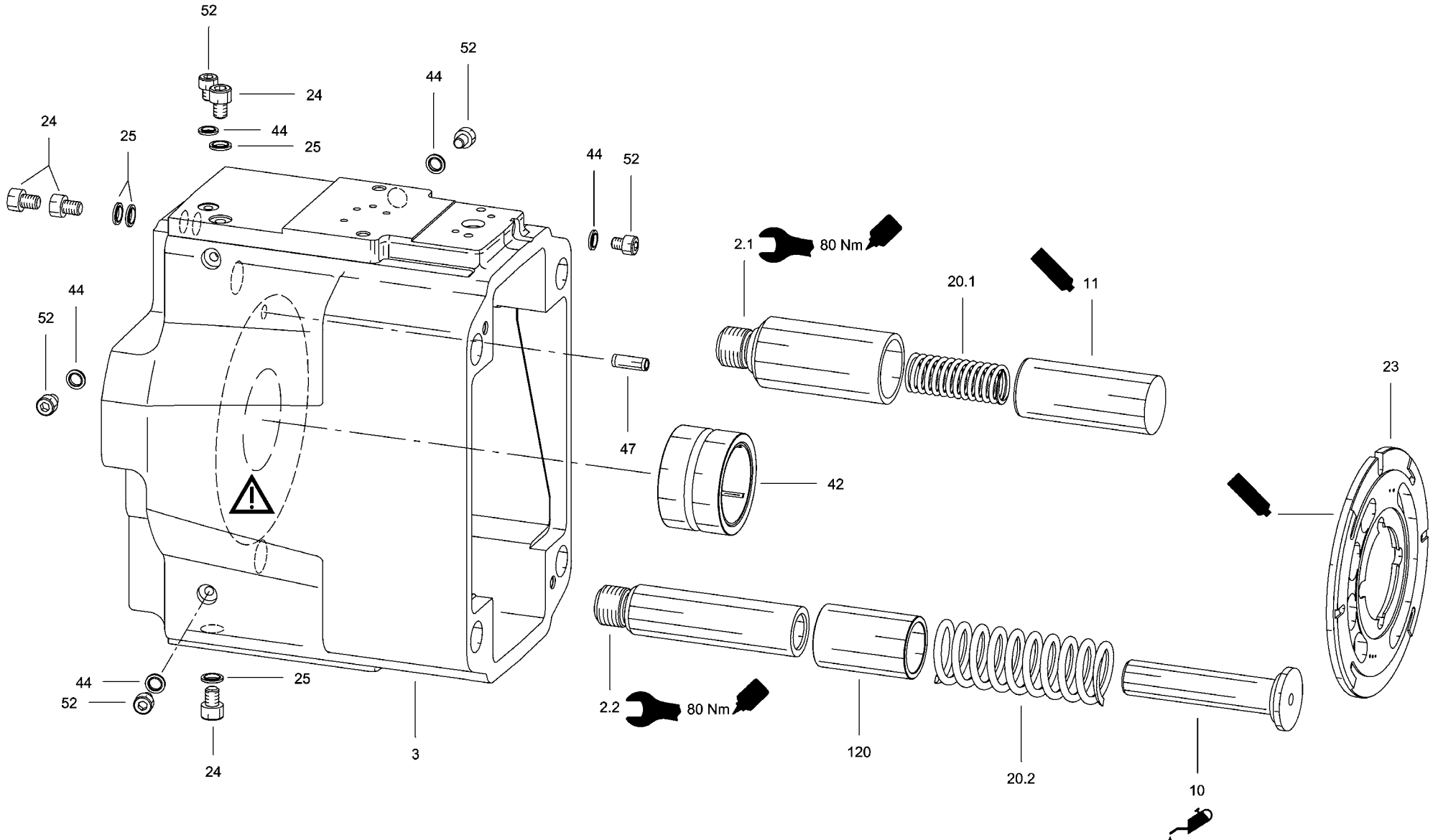


## Ass. control head SVH-130

Item	Part No.	Qty.	Nomenclature	Add. Information
12	7942651.00	1	Spring	
14	7942637.00	1	Cylinder barrel	Lube the bores in the revolver prior to inserting the pistons!
15	7942656.00	11	Ass.Piston SVH-130	Lube the pistons prior to inserting them!
18	7942638.00	1	Centering ball SVH-130	Observe the the installation direction, the centering ball must rest in the countersink of the return plate.
19	7942639.00	1	Return plate in acc. to	The chamfer of the return plate has to be in contact with the centering ball. Lube prior to assembly!
63	7942643.00	2	Retaining element SVH-130	Attention: The brass side of the retaining plate has to face the return plate!
64	7929767.00	4	Spacer SVH-112	
65	7994246.00	4	Hex.head s. M 6x 20 DIN933-10.9	Max. torque 13 Nm, secured with liquid threadlock!



## Housing SVH-130





## Housing SVH-130

Item	Part No.	Qty.	Nomenclature	Add. Information
3	7942815.00	1	Housing R (-1)	
3	7942819.00	1	Housing (-2) R	
3	7942992.00	1	Housing R/V	
3	7942982.00	1	Housing R/V (-2)	
3	7942817.00	1	Housing right/UN (-1)	
3	7942810.00	1	Housing (-2) R/UN	
3	7942816.00	1	Housing left (-1)	
3	7942820.00	1	Housing (-2) L	
3	7942818.00	1	Housing left/UN (-1)	
3	7942822.00	1	Housing L/UN (-2)	
2.1	7942827.00	1	Adjust cylinder big	Max. torque 80 Nm, secured with liquid threadlock!
2.2	7942826.00	1	Adjust cylinder small	Max. torque 80 Nm, secured with liquid threadlock!
10	7942648.00	1	Control piston small	Apply oil to the control piston and insert it into the control cylinder bore of Item 2.2.
11	7942649.00	1	Control piston large	Apply grease to the control piston and insert it into the control cylinder bore of Item 2.1.
20.1	7942653.00	1	Spring	Insert the spring into the control cylinder bore of Item 2.1.
20.2	7942652.00	1	Spring	Slip the spring over the control cylinder item Pos. 2.2.
23	7944648.00	1	Port plate R	Apply grease to the rear side of the swash plate and position it in the housing.
23	7944647.00	1	Port plate L	Apply grease to the rear side of the swash plate and position it in the housing.
24	7993228.00	4	Screw M6x8 DIN 912-8.8	
25	7991398.00	4	Bonded washer U 6,70x10x1	
42	7993237.00	1	Needle bearing NA 6906 A	Press the outer race incl. cage and needles into the housing!

Item	Part No.	Qty.	Nomenclature	Add. Information
44	7991963.00	5	Bonded washer U 5,70x 9x1	
47	7993181.00	1	Roll pin 6x16 DIN7343	Press into the housing. Attention: Do not damage the contact area for the swash plate!
52	7993229.00	5	Screw M5x6 DIN 912-8.8	
120	7942703.00	1	Jacket	Slip the sleeve over the control cylinder item Pos. 2.2.
25-44	7942901.00	1	Seal kit NBR	
25-44	7942798.00	1	Seal kit FKM SVH-130	

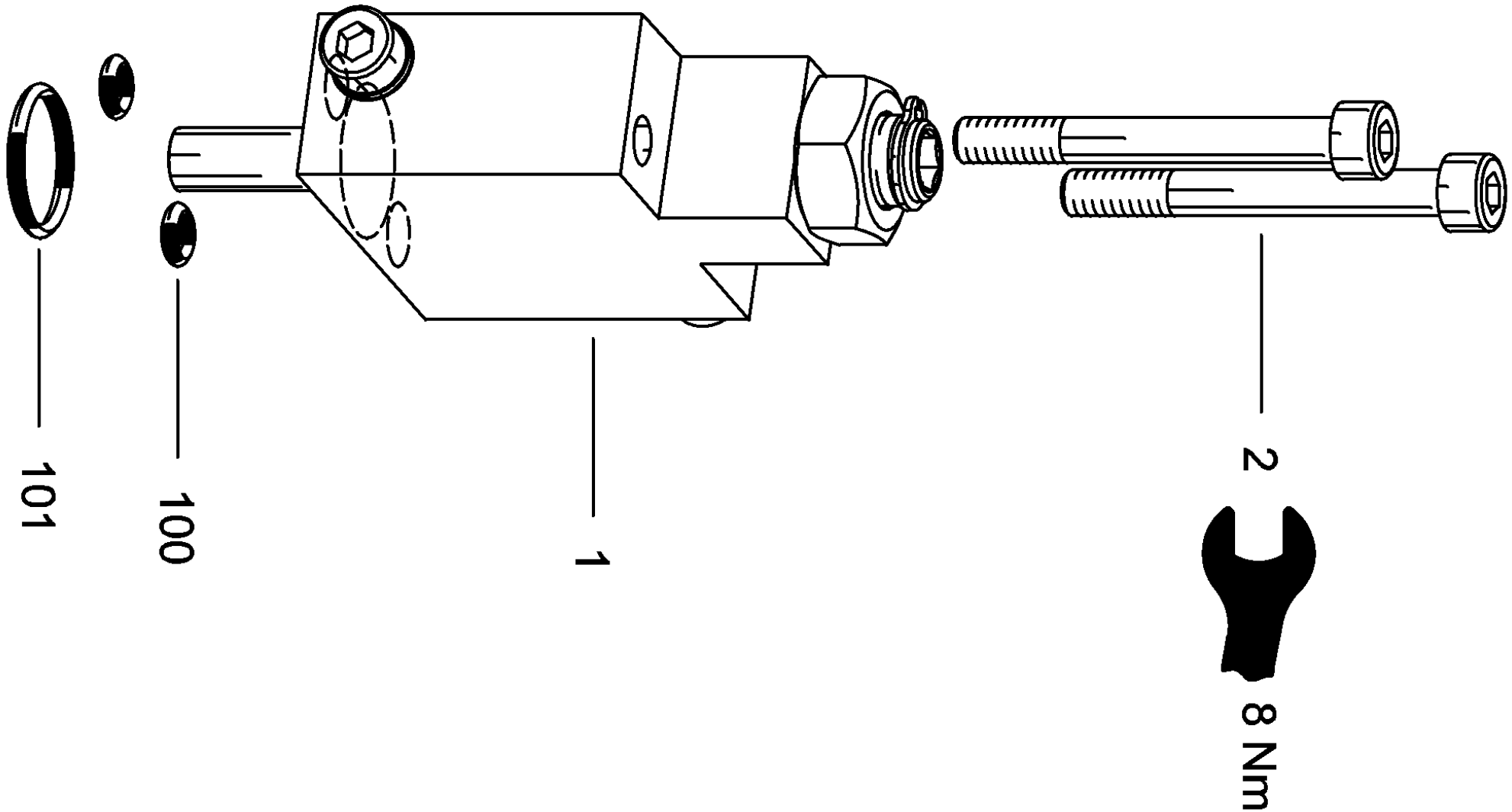


## SVH - Controller 3

Nomenclature
LSNR-Controller
LSNRT-Controller
NR-Controller
QNR-Controller
L-Controller
ZL-Controller
ZW-Intermediate Plate 45°



## L-Controller





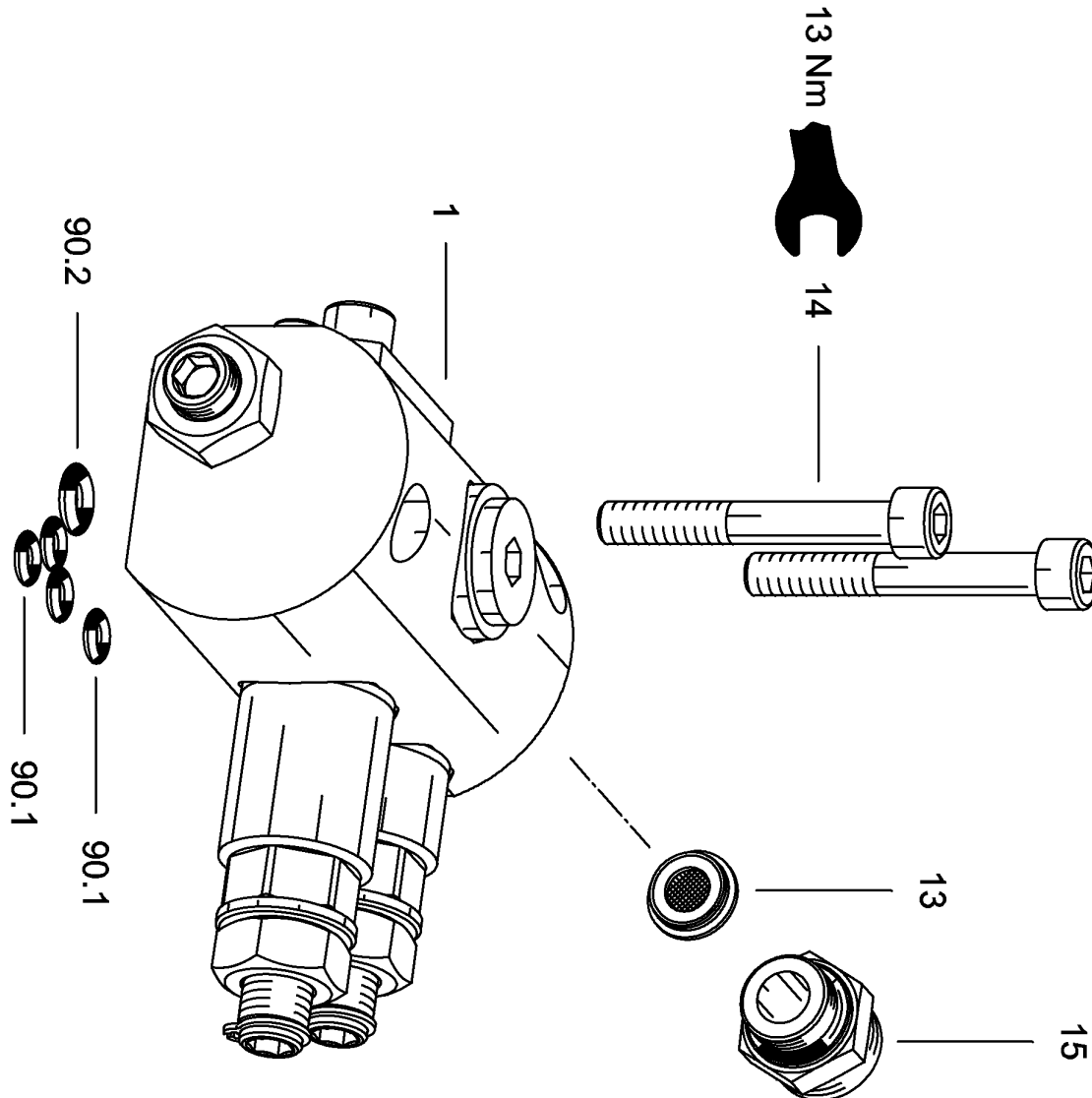


## L-Controller

Item	Part No.	Qty.	Nomenclature	Add. Information
1	7942756.00	1	Power regulator L NBR	Complete
2	7994257.00	2	Zyl.Schr. M 5 x 45 DIN 912-10.	Max. torque 8 Nm!
100	7993286.00	2	O-Ring 3,7x1,78 NBR 90Shore	
101	7993045.00	1	O-ring (14,00x1,78)015-8307	



## LSNR-Controller





## LSNR-Controller

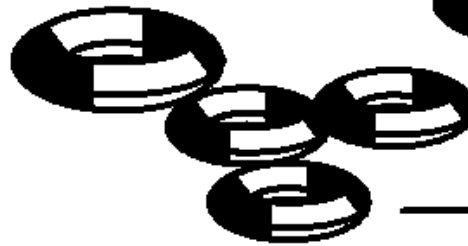
Item	Part No.	Qty.	Nomenclature	Add. Information
1	7942186.00	1	LSNR controller SVH NBR	Complete
1	7942187.00	1	LSNR-controller SVH FKM	Complete
13	7942108.00	1	Filter screw G $\frac{1}{8}$	
14	7990130.00	2	Screw M 6x 45 DIN 912	Max. torque 13 Nm!
14	7994148.00	2	Zyl.Schr. M 6x 40 - 10.9	For mounting at a ZL-controller, max. torque 13 Nm!
15	7993245.00	1	Adapter $\frac{1}{8}$ auf 7/16-20 UNF	UNF-adaptor,complete with O-Ring!
90.1	7993286.00	4	O-Ring 3,7x1,78 NBR 90Shore	
90.2	7990044.00	1	O-Ring 6,07x1,78 NBR 90Shore	
90.1	7993893.00	4	O- Ring 3,7x1,78 FKM 90Shore	
90.2	7991405.00	1	O- ring ( 6,07x1,78)010-19457	
90.1-90.2	7942432.00	1	Seal kit NBR for angle block 45 $\phi$	



## Seal kit NBR for angle block 45°



90.2



90.1

90.1

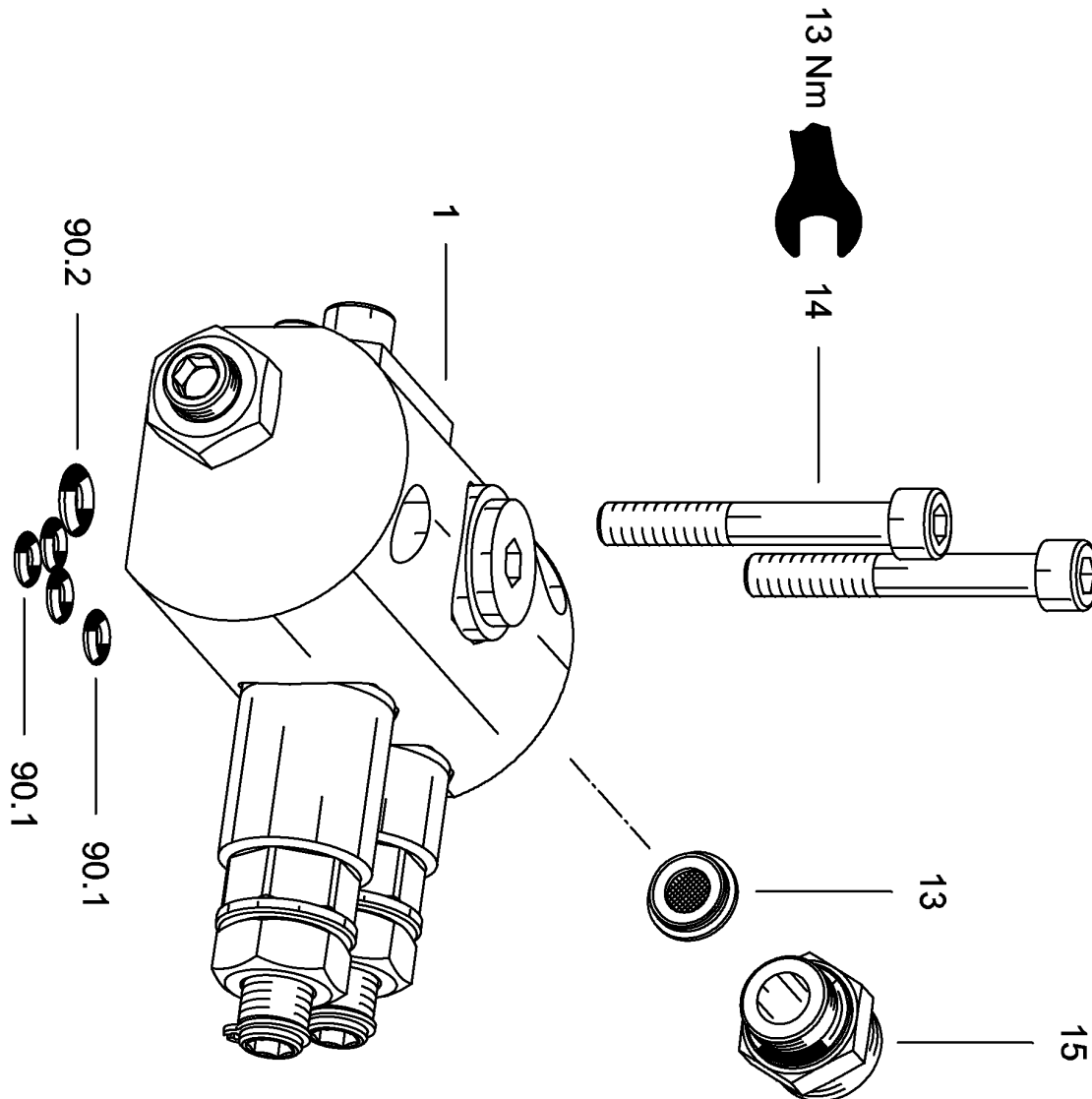


## Seal kit NBR for angle block 45°

Item	Part No.	Qty.	Nomenclature	Add. Information
90.1	7993286.00	4	O-Ring 3,7x1,78 NBR 90Shore	Individually not available!
90.2	7990044.00	1	O-Ring 6,07x1,78 NBR 90Shore	Individually not available!



## LSNRT-Controller



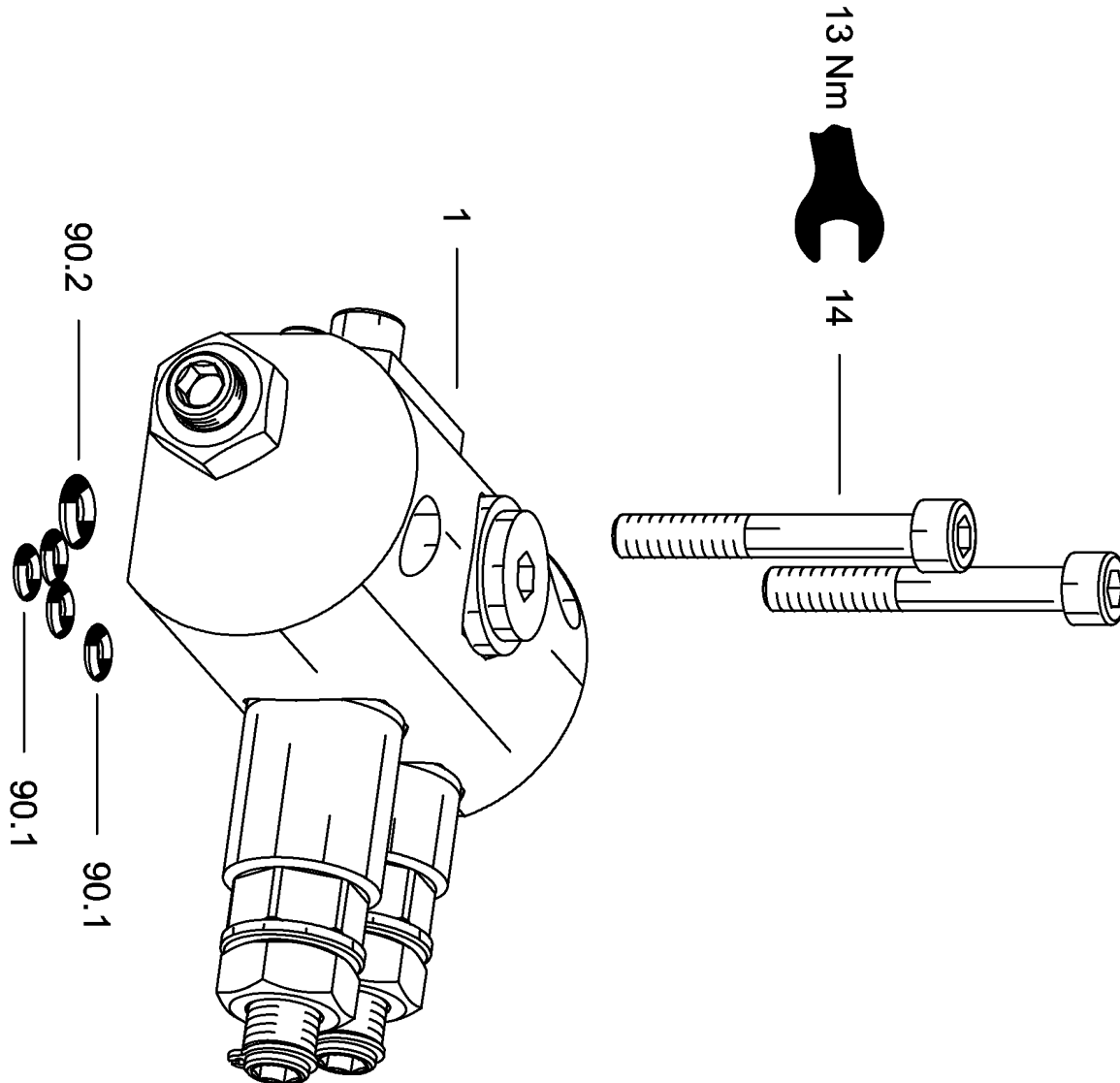


## LSNRT-Controller

Item	Part No.	Qty.	Nomenclature	Add. Information
1	7942350.00	1	LSNRT controller SVH NBR	Complete
1	7942875.00	1	LSNRT controller SVH FKM	Complete
13	7942108.00	1	Filter screw G $\frac{1}{8}$	
14	7990130.00	2	Screw M 6x 45 DIN 912	Max. torque 13 Nm!
14	7994148.00	2	Zyl.Schr. M 6x 40 - 10.9	For mounting at a ZL-controller, max. torque 13 Nm!
15	7993245.00	1	Adapter $\frac{1}{8}$ auf 7/16-20 UNF	UNF-adaptor, complete with O-Ring!
90.1	7993286.00	4	O-Ring 3,7x1,78 NBR 90Shore	
90.2	7990044.00	1	O-Ring 6,07x1,78 NBR 90Shore	
90.1	7993893.00	4	O- Ring 3,7x1,78 FKM 90Shore	
90.2	7991405.00	1	O- ring ( 6,07x1,78)010-19457	
90.1- 90.2	7942432.00	1	Seal kit NBR for angle block 45 $\phi$	



## NR-Controller





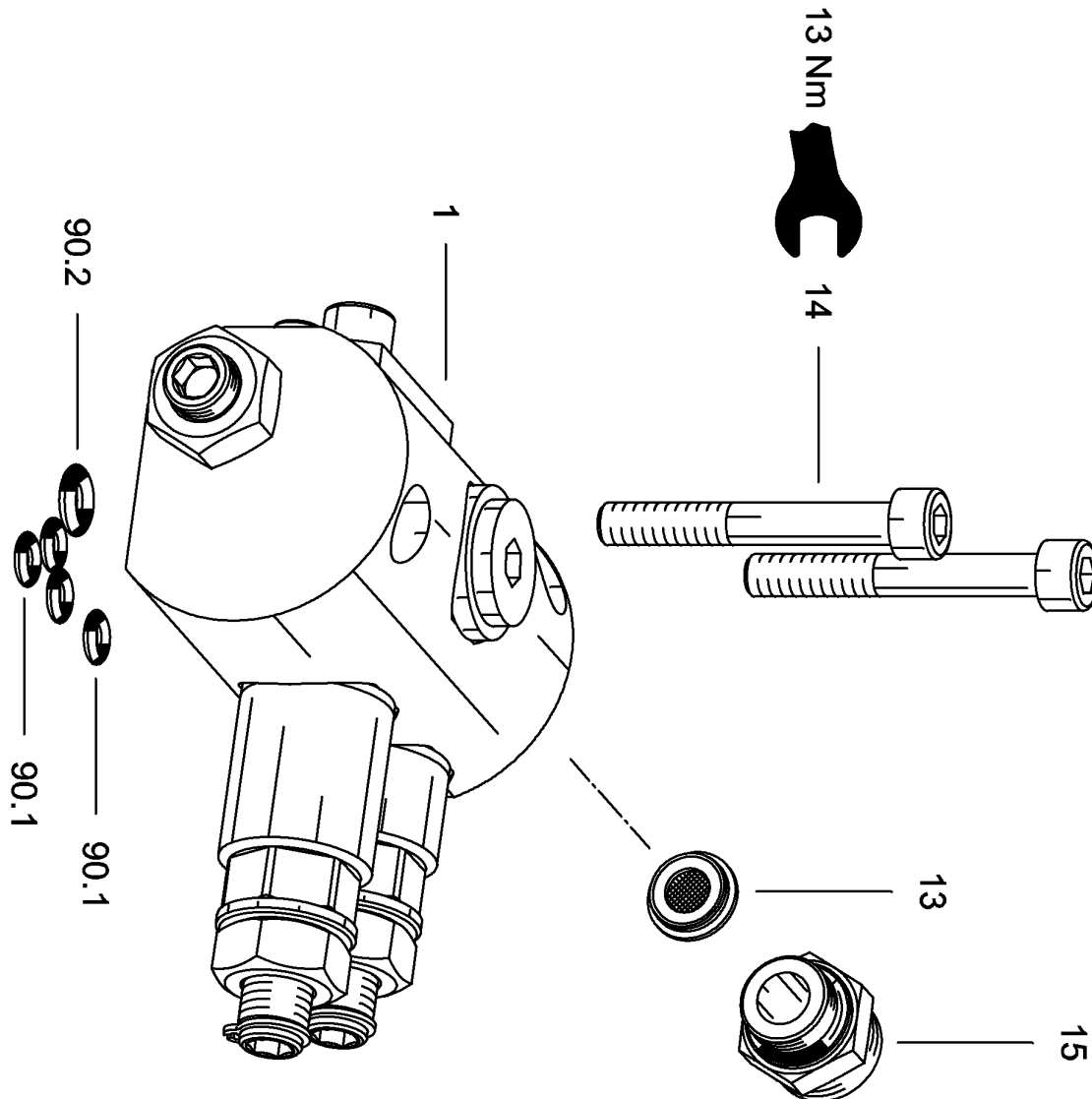


## NR-Controller

Item	Part No.	Qty.	Nomenclature	Add. Information
1	7942289.00	1	NR controller SVH NBR	Complete
1	7942292.00	1	NR controller SVH FKM	Complete
14	7990130.00	2	Screw M 6x 45 DIN 912	Max. torque 13 Nm!
90.1	7993286.00	4	O-Ring 3,7x1,78 NBR 90Shore	
90.2	7990044.00	1	O-Ring 6,07x1,78 NBR 90Shore	
90.1	7993893.00	4	O- Ring 3,7x1,78 FKM 90Shore	
90.2	7991405.00	1	O- ring ( 6,07x1,78)010-19457	
90.1- 90.2	7942432.00	1	Seal kit NBR for angle block 45ø	



## QNR-Controller



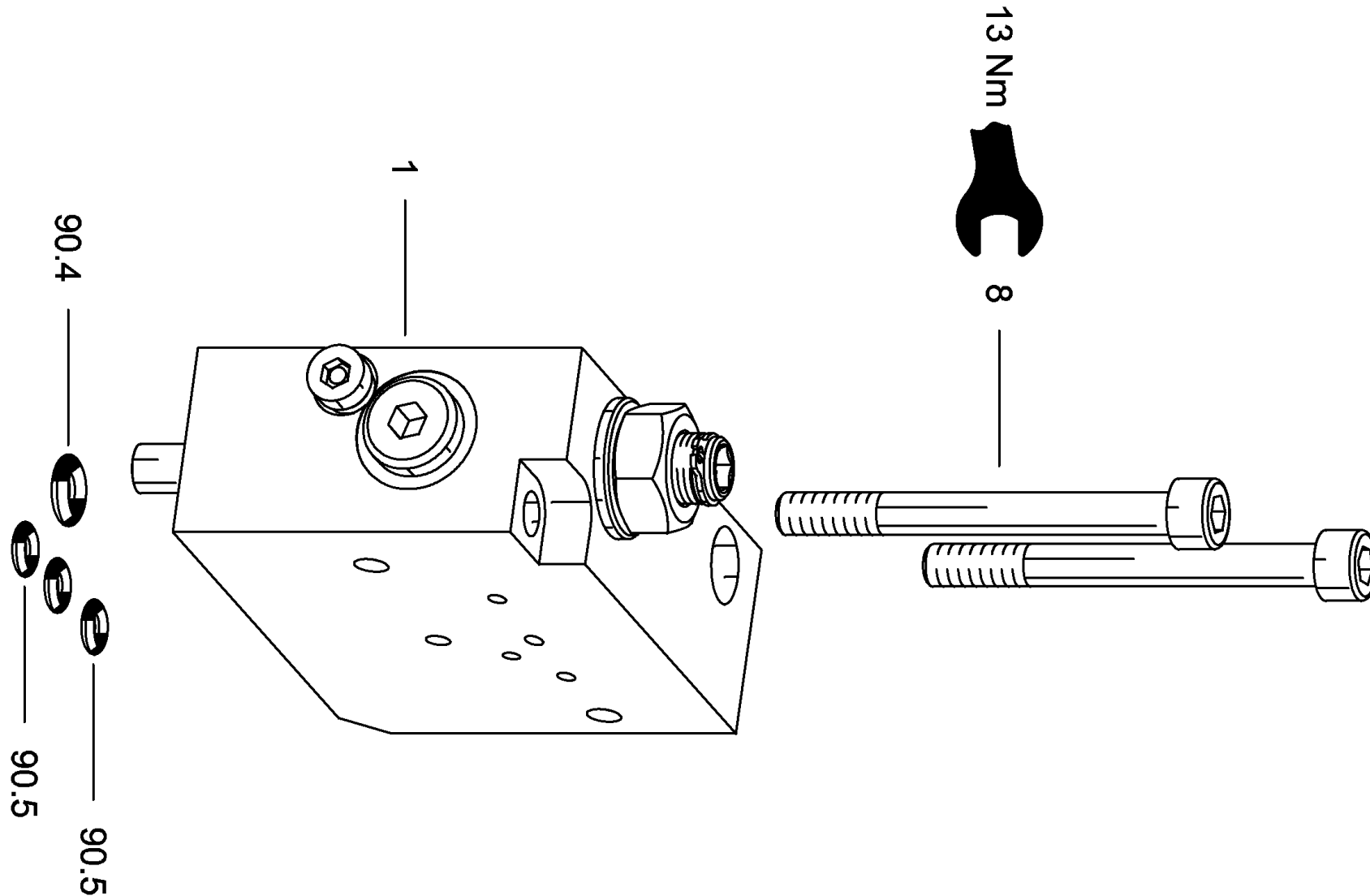


## QNR-Controller

Item	Part No.	Qty.	Nomenclature	Add. Information
13	7942108.00	1	Filter screw G $\frac{1}{8}$	
14	7990130.00	2	Screw M 6x 45 DIN 912	Max. torque 13 Nm!
14	7994148.00	2	Zyl.Schr. M 6x 40 - 10.9	For mounting at a ZL-controller, max. torque 13 Nm!
15	7993245.00	1	Adapter $\frac{1}{2}$ auf 7/16-20 UNF	UNF-adaptor, complete with O-Ring!
90.1	7993286.00	4	O-Ring 3,7x1,78 NBR 90Shore	
90.2	7990044.00	1	O-Ring 6,07x1,78 NBR 90Shore	
90.1	7993893.00	4	O- Ring 3,7x1,78 FKM 90Shore	
90.2	7991405.00	1	O- ring (6,07x1,78)010-19457	
90.1-90.2	7942432.00	1	Seal kit NBR for angle block 45 $\varnothing$	



## ZL-Controller



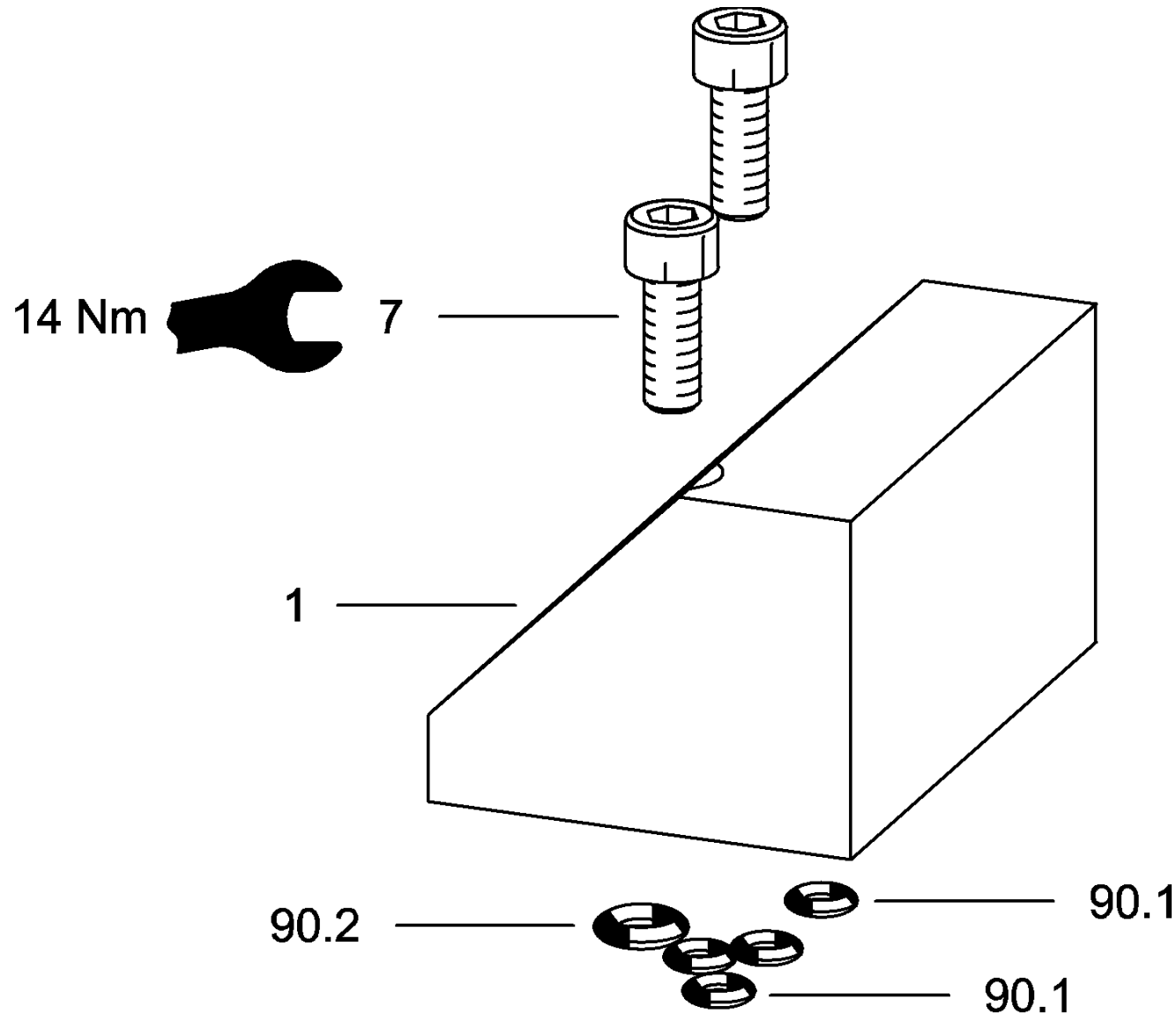


## ZL-Controller

Item	Part No.	Qty.	Nomenclature	Add. Information
1	7942877.00	1	Ass. ZL-controller	Complete
1	7942950.00	1	Ass. ZL-controller FKM	Complete
8	7994307.00	2	Srew M 6x 60 - 10.9 ISO 4762	Max. torque 13 Nm!
90.4	7990044.00	1	O-Ring 6,07x1,78 NBR 90Shore	
90.5	7993286.00	3	O-Ring 3,7x1,78 NBR 90Shore	



## ZW-Intermediate Plate 45°





## ZW-Intermediate Plate 45°

Item	Part No.	Qty.	Nomenclature	Add. Information
1	7942254.00	1	Ass. bracket block 45ø (ZW) NBR	Complete
1	7942374.00	1	Ass. bracket block 45ø (ZW) FKM	Complete
7	7992611.00	2	Screw M 6x 16 DIN 912	Max. torque 14 Nm!
90.1	7993286.00	4	O-Ring 3,7x1,78 NBR 90Shore	
90.2	7990044.00	1	O-Ring 6,07x1,78 NBR 90Shore	
90.1	7993893.00	4	O- Ring 3,7x1,78 FKM 90Shore	
90.2	7991405.00	1	O- ring ( 6,07x1,78)010-19457	
90.1-90.2	7942432.00	1	Seal kit NBR for angle block 45ø	